



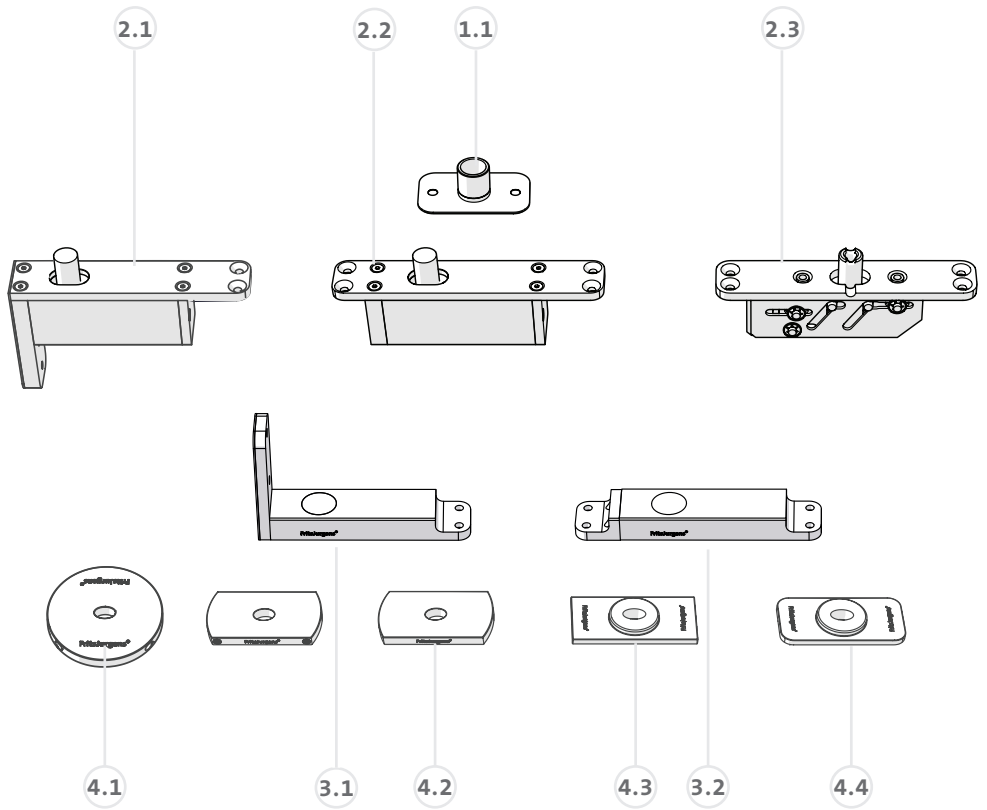
FritsJurgens®

SYSTEM ONE  
MILLING AND MOUNTING MANUAL

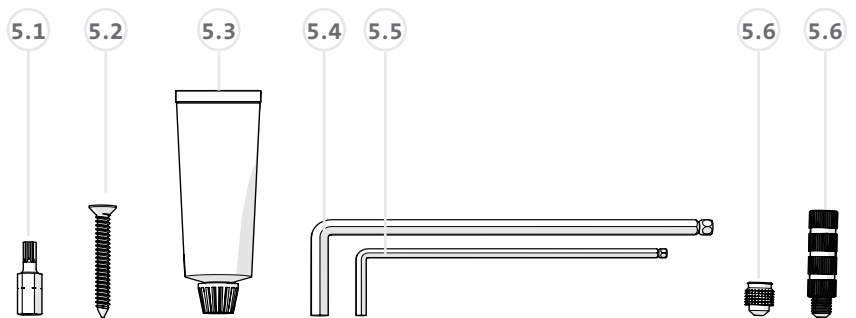
# BOX CONTENTS

## COMPONENTS

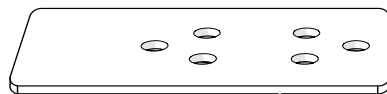
- 1.1 Ceiling plate - Class G
- 2.1 Top pivot 40 mm - Class G
- 2.2 Top pivot 70 mm - Class G
- 2.3 Top pivot Cable Grommet
- 3.1 Bottom pivot System One 70 mm
- 3.2 Bottom pivot System One 40 mm
- 4.1 Floor plate System M - Square Black
- 4.1 Floor plate - Squared NA
- 4.2 Floor plate - Flush squared
- 4.3 Floor plate - Flush rounded



## MILLING AND MOUNTING KIT



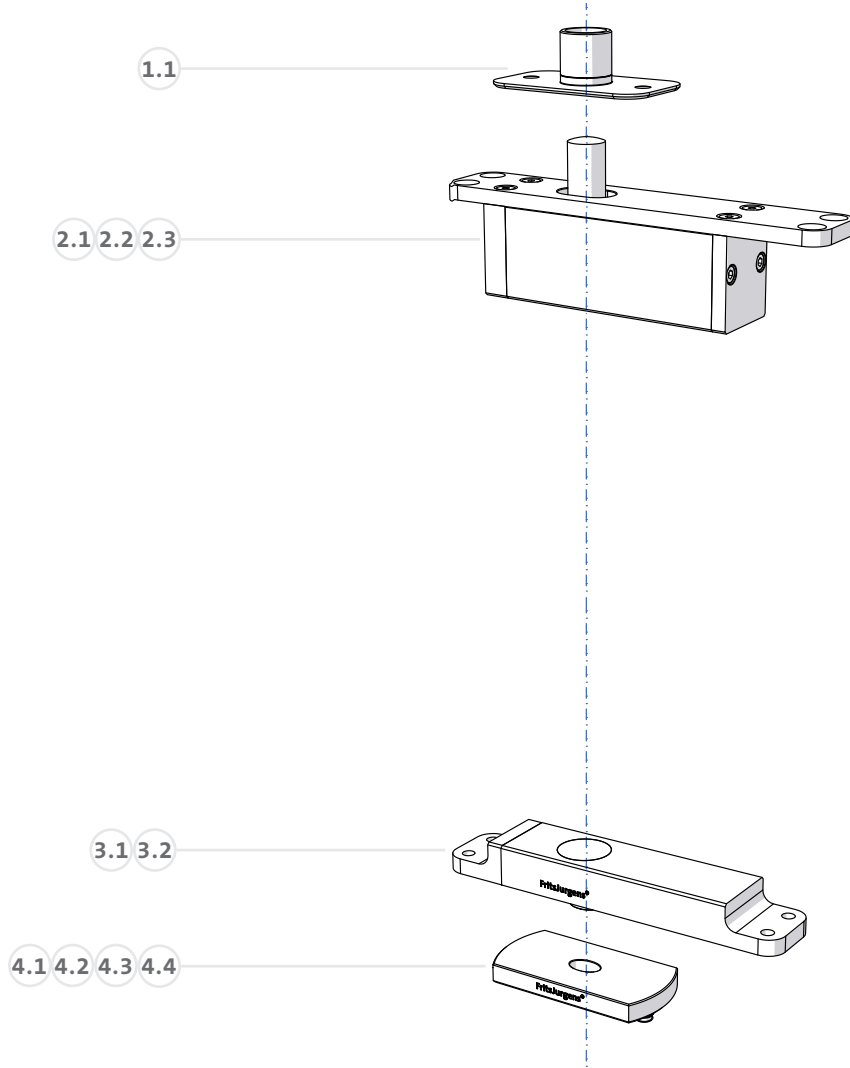
- 5.1 Torx bit TX20 (1x)
- 5.2 Screws (4x50) (10x)
- 5.3 Fitting adhesive
- 5.4 Allen key 5
- 5.5 Allen key 3
- 5.6 Mounting pins, short (2x)
- 5.7 Mounting pins, long\* (2x)
- 5.8 Fitting template



\* Only in box floor plate System M - Squared black and in box floor plate Squared NA

# SYSTEM OVERVIEW

---



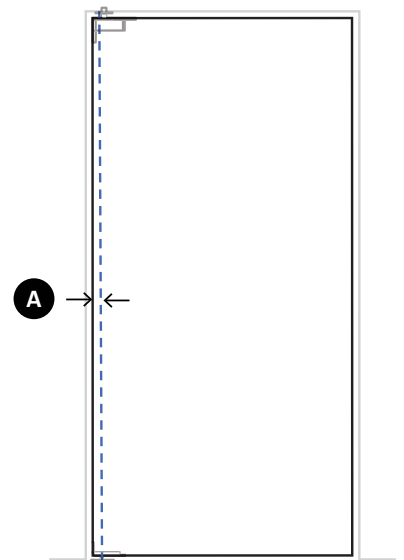
# MILLING INSTRUCTIONS

→ Determine pivot point **A**.

## System One

- $A = 40 \text{ mm}$  → page 4
- $70 \text{ mm} \leq A < 250 \text{ mm}$  → page 6
- $A > 250 \text{ mm}$  → page 8

Top pivot Cable Grommet → page 10



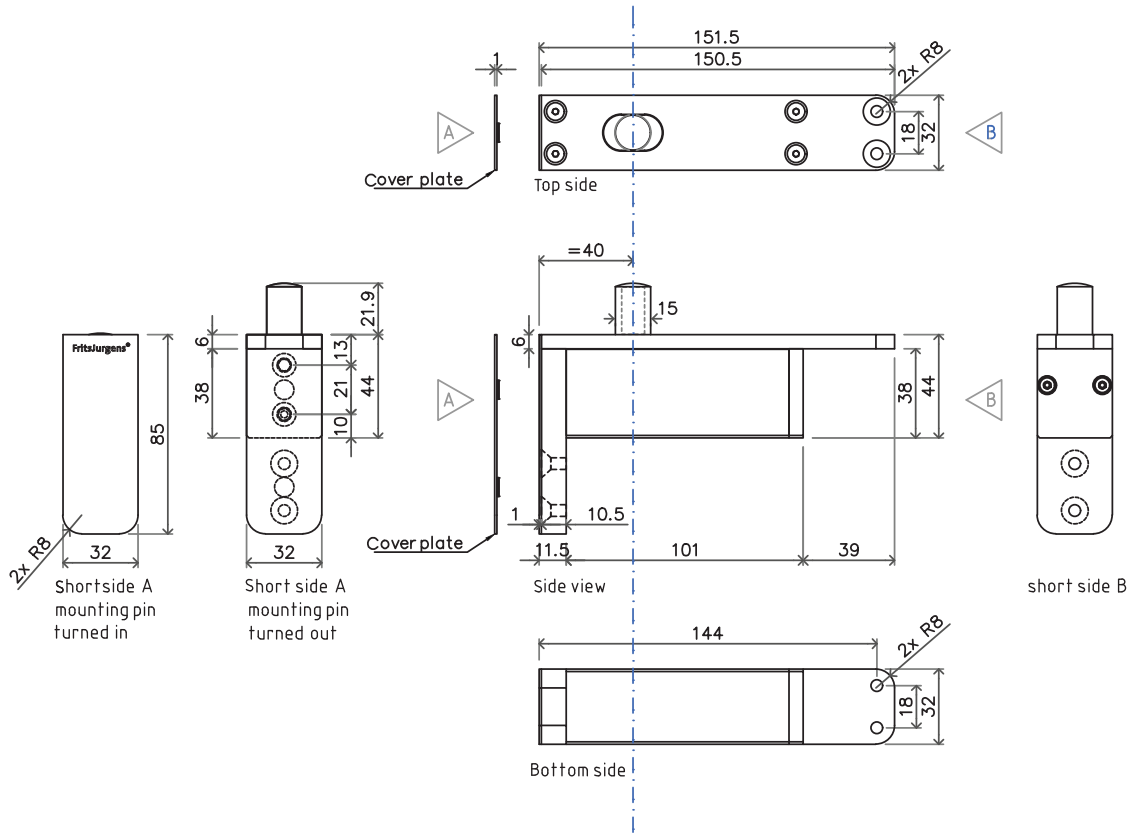
# MOUNTING INSTRUCTIONS

→ page 11

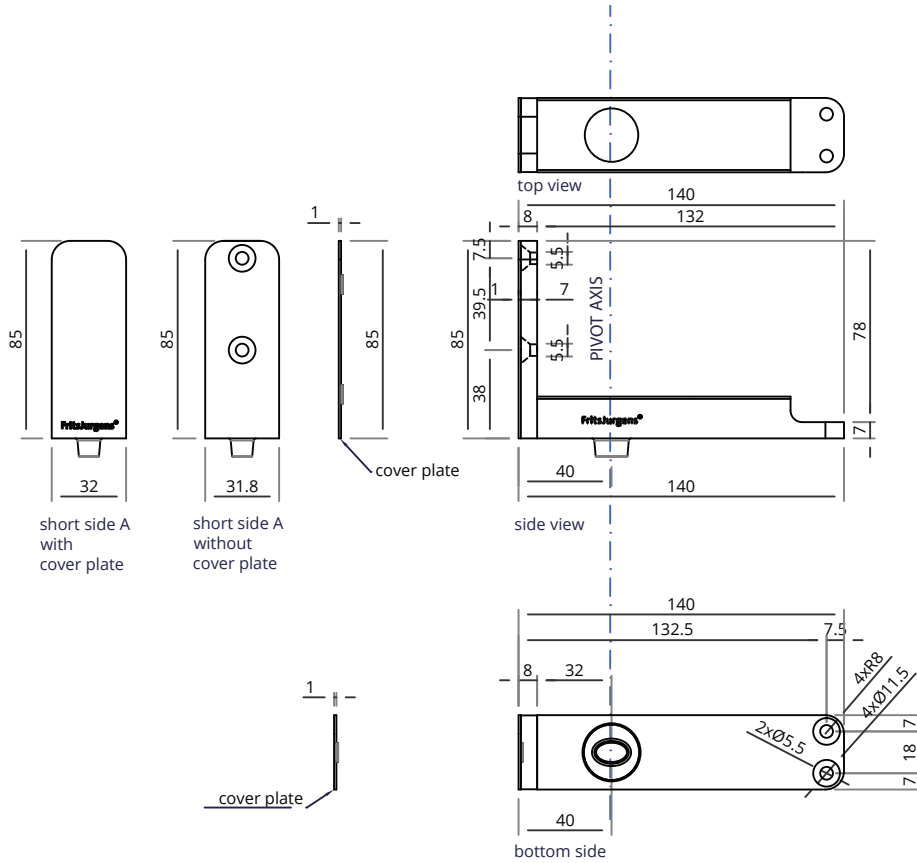
---



COMPONENTS



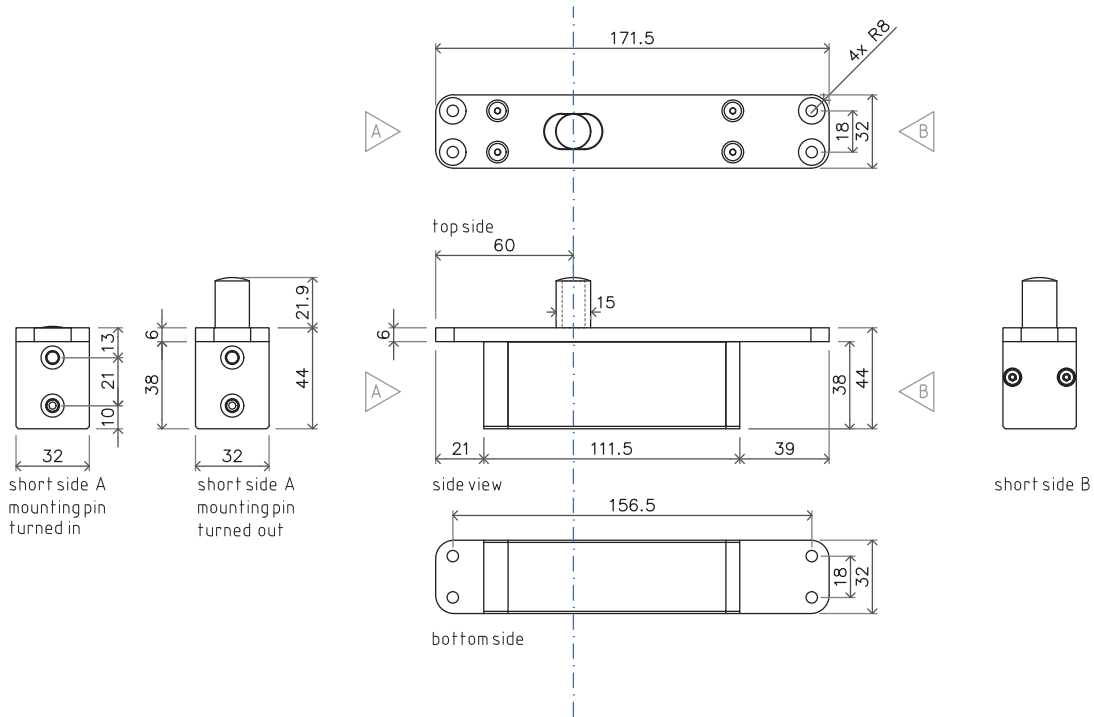
Top pivot 40 mm - Class G



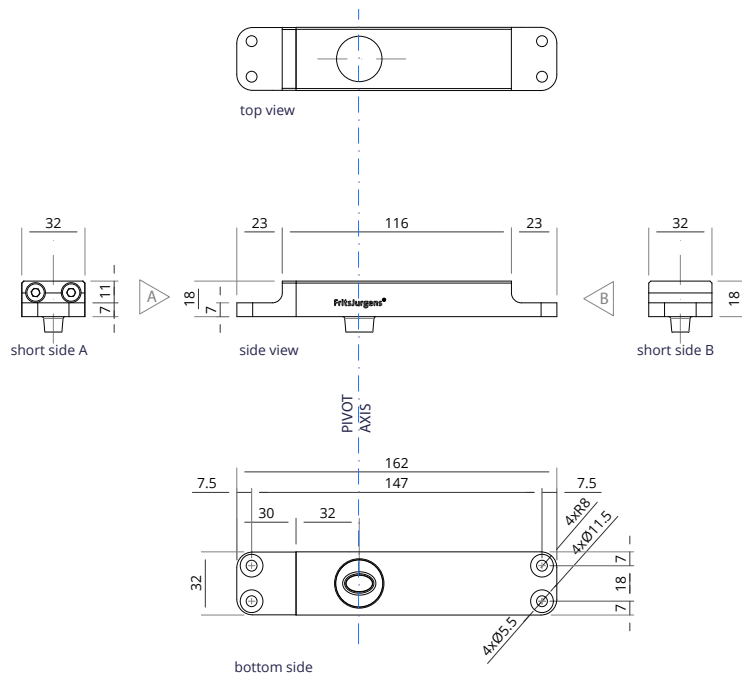
System One 40 mm



COMPONENTS



Top pivot 70 mm - Class G



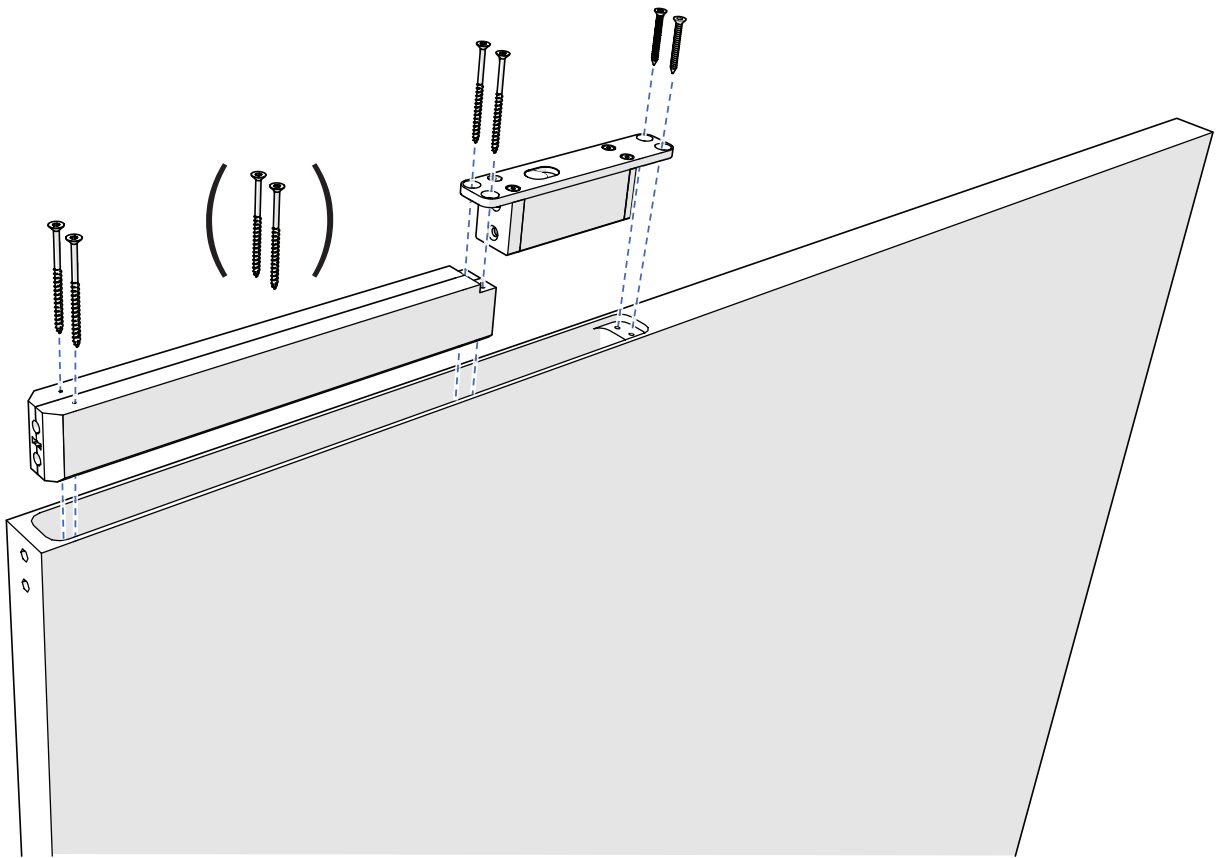
System One 70 mm





**4** Drill holes for the mounting screws\*. If you use the 1 m Hexagon Guide, two screws are enough. If you use the 2 m Hexagon Guide, use an extra pair.

**5** Mount the Hexagon Guide and the top pivot.



**System One 40 mm** → continue on page 4

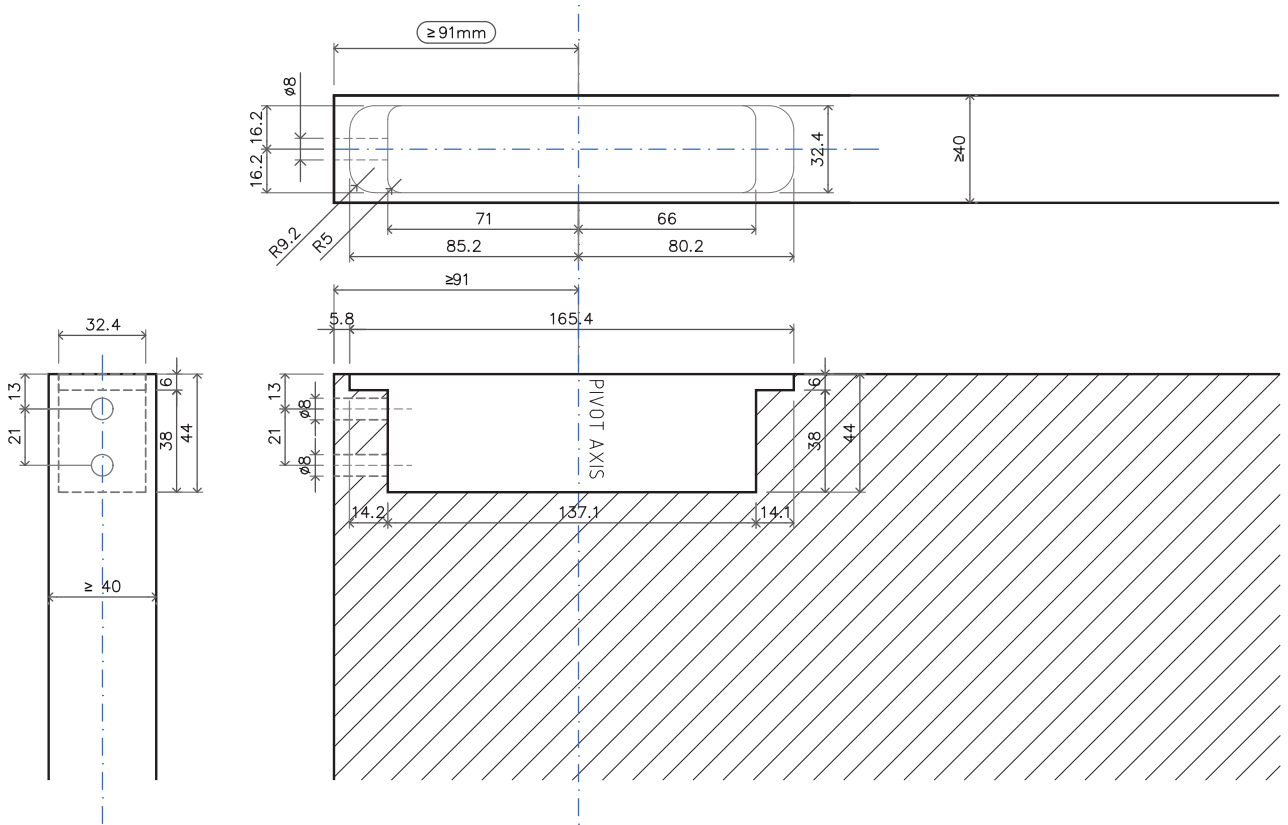
**System One 70 mm** → continue on page 6

---

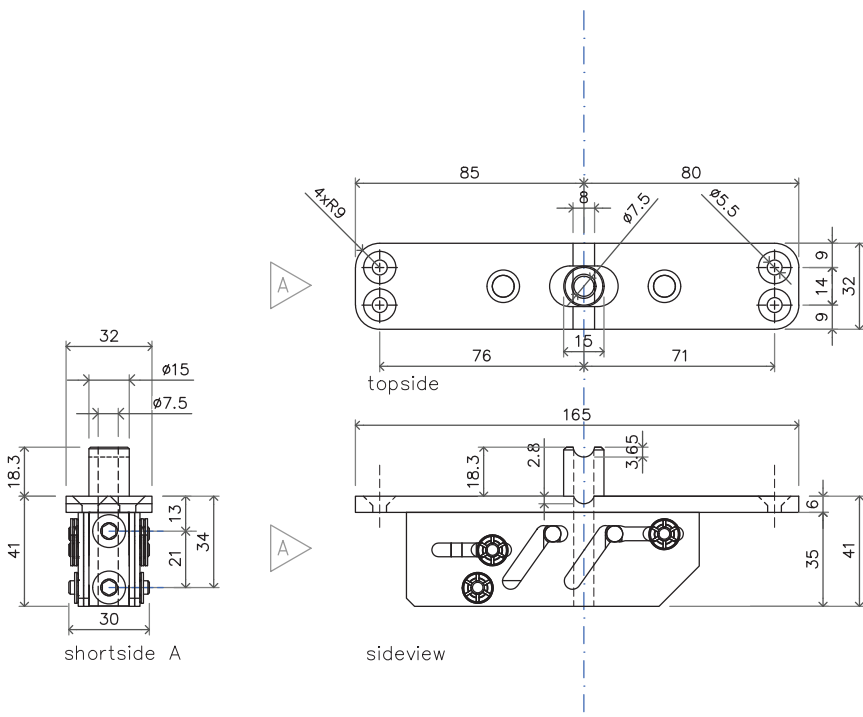
\* Alternatively, use glue (not included) to mount the Hexagon Guide.

# MILLING

## TOP PIVOT CABLE GROMMET PREPARING THE DOOR

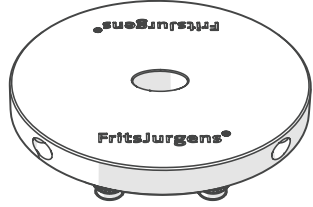
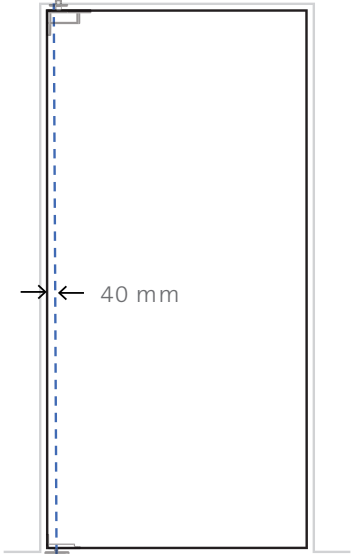


## COMPONENT

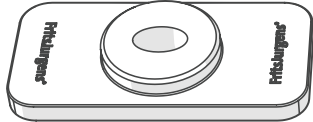


Side placement

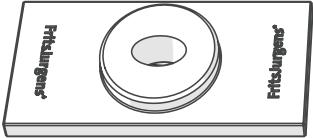
System One 40 mm



→ page 12



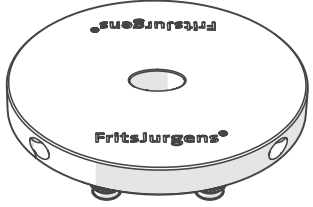
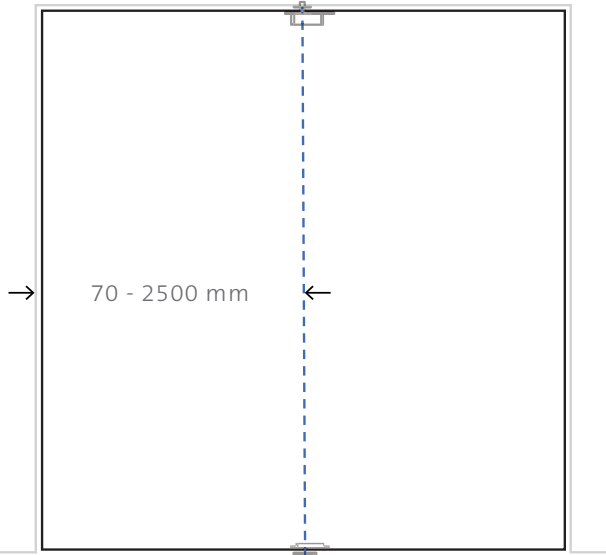
→ page 15



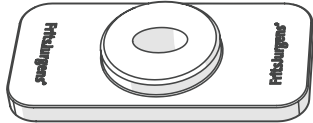
→ page 16

Middle placement

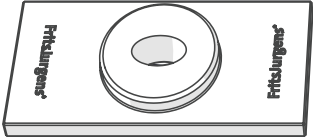
System One 70 mm



→ page 19



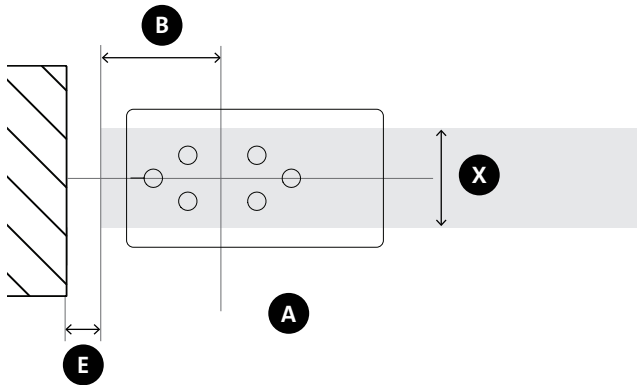
→ page 15



→ page 16

# MOUNTING

**1** Determine the position of pivot point **A** on the floor. Use the fitting template and the table below.



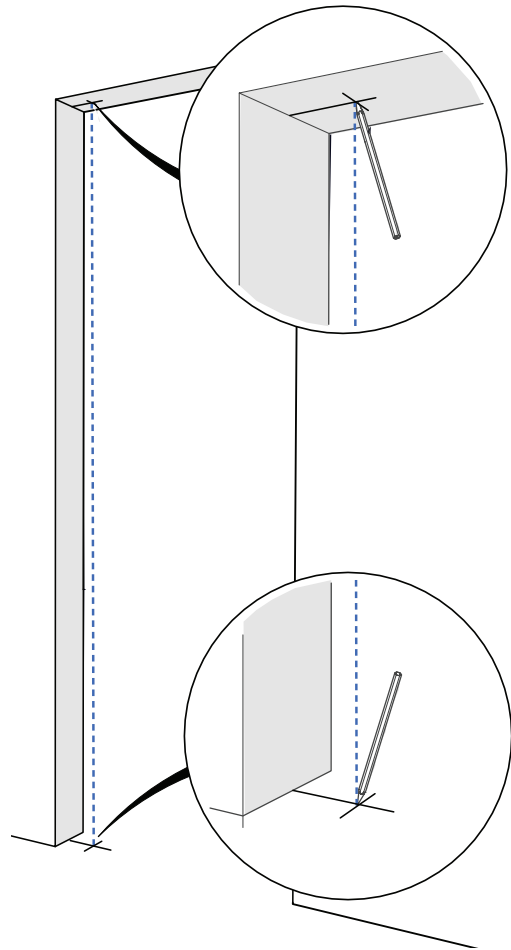
	40	50	60	70	80	90	100	X
B								
40	2	2	2	2	3	3	3	
70	5	6	10	10	13	15	18	
91	4	5	7	9	10	12	15	
250	3	3	4	4	5	6	7	
500	2	3	3	3	4	4	5	
1000	2	2	3	3	3	3	3	
1500	2	2	2	2	2	3	3	
2000	2	2	2	2	2	2	3	E

**E** Minimum gap between door and wall (mm)

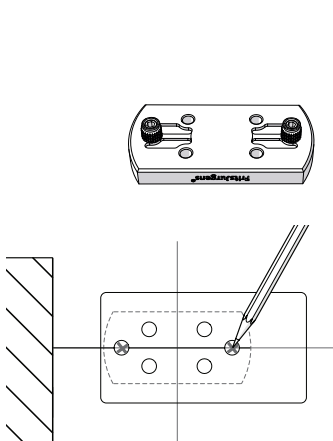
**B** Distance pivot point to door edge (mm)

**X** Door thickness (mm)

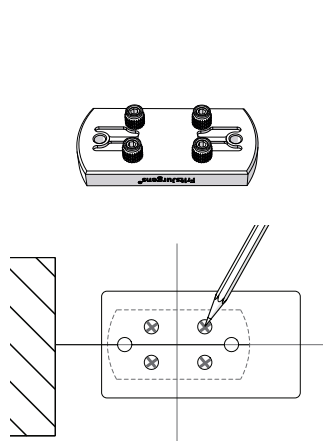
**2** Mark pivot point **A** on the floor and on the ceiling.



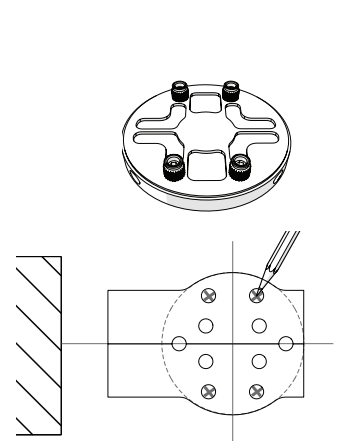
**3** Mark the drilling holes on the floor. Use the fitting template.



*Floor plate squared NA or Squared Black, one floor type*

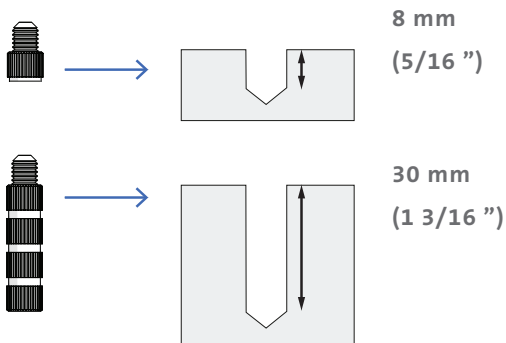
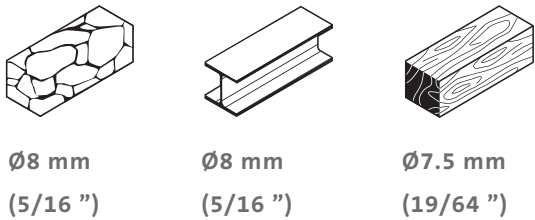


*Floor plate squared NA or Squared Black, one or two floor types*

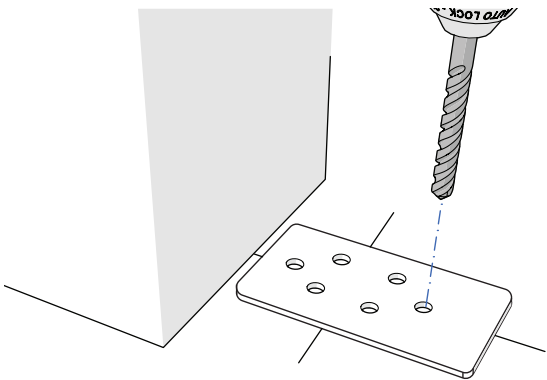


*Floor plate round, one or two floor types*

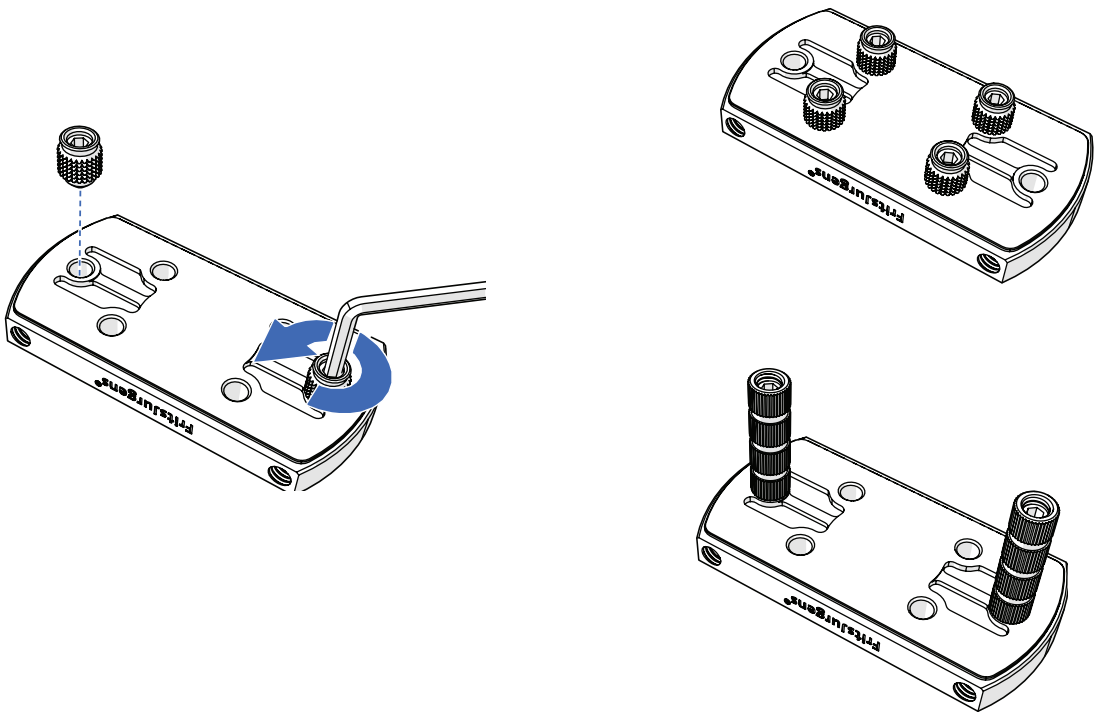
4 Select the correct drill bit for the floor and determine the drilling depth.



5 Drill the holes in the floor on the marked spots.



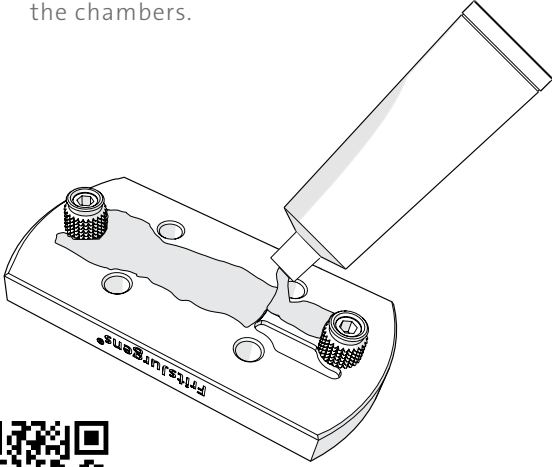
6 Determine the pin configuration for your situation. If necessary, use Allen key 3 to unmount the pre-installed pins and install the correct configuration.



# MOUNTING

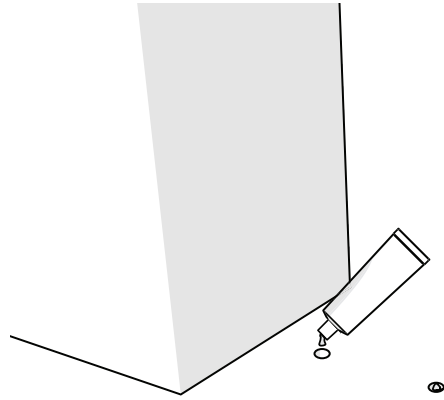
---

- 7 Fill the glue chambers in the floor plate with glue and apply a 1 mm layer of glue in between the chambers.

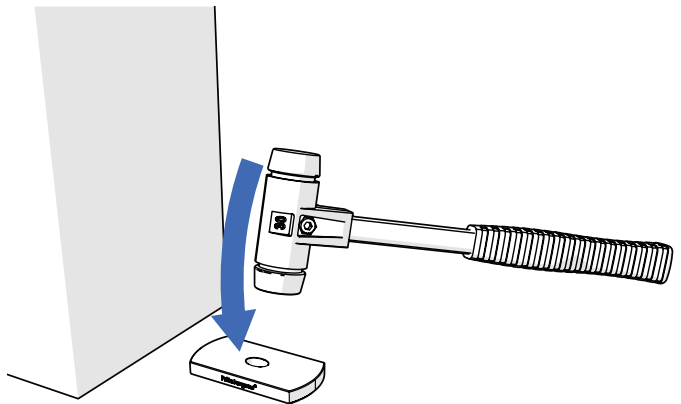
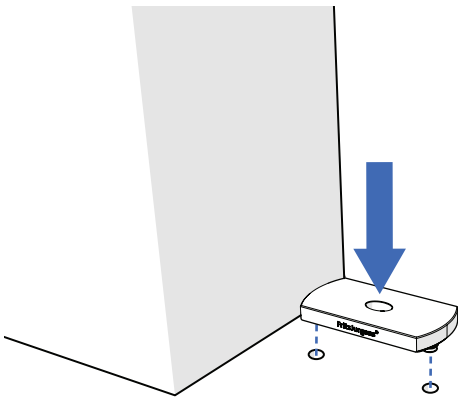


\* Scan the QR code for information about drying time and glue specifications.

- 8 Add glue in the holes in the floor. Make sure the holes don't overflow when you place the floor plate.



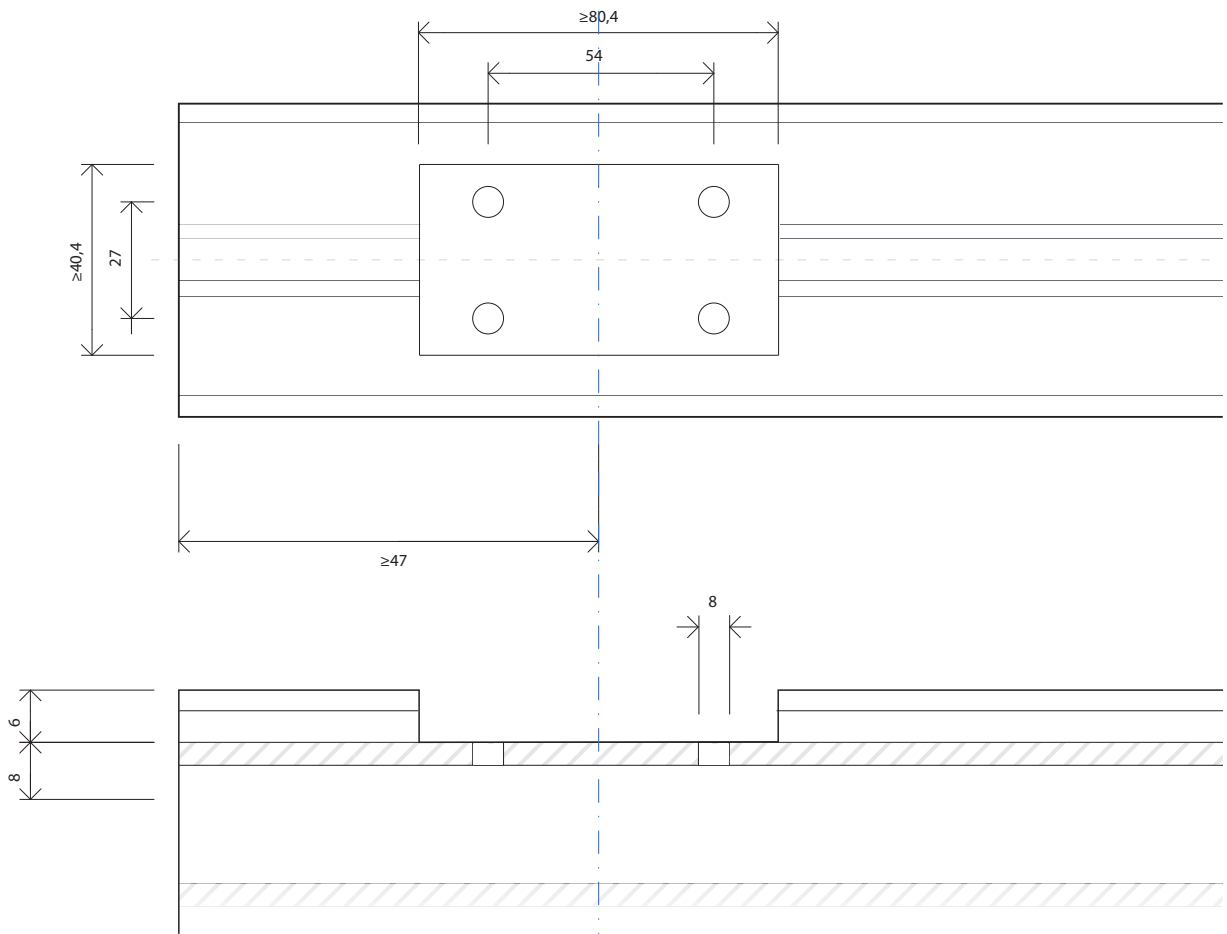
- 9 Use a rubber hammer to affix the floor plate.



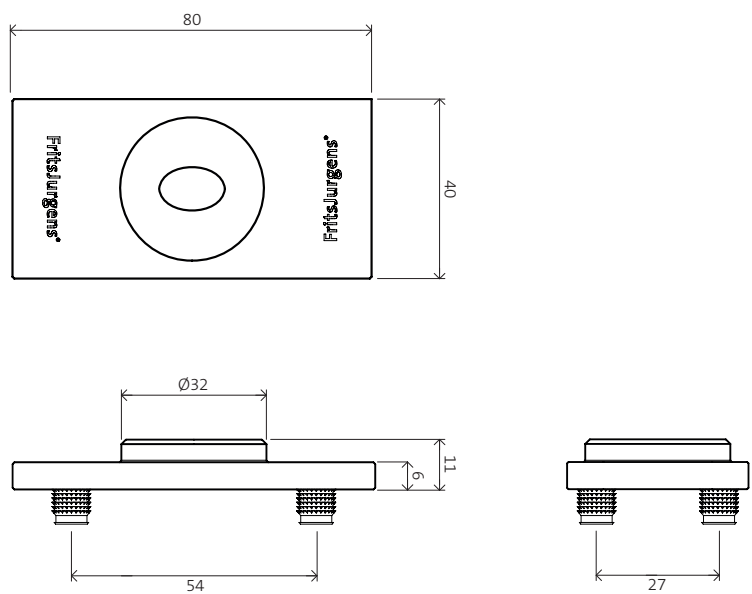


# MOUNTING

## FLOOR PLATE FLUSH SQUARED PREPARING THE FLOOR OR SILL



## DIMENSIONS



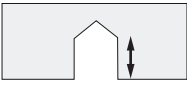
- Side placement: follow steps 7, 8 and 9 on page **14**
- Middle placement: follow steps 7, 8 and 9 on page **20**




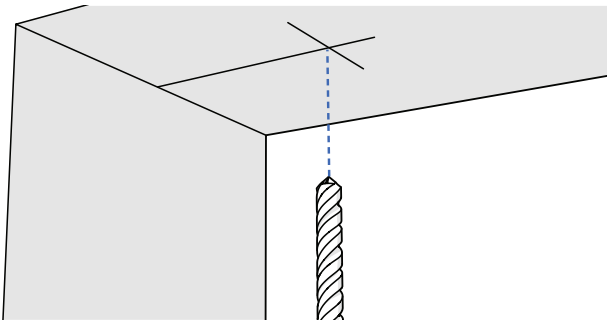
## CEILING PLATE

**1** Drill a hole for the ceiling plate.

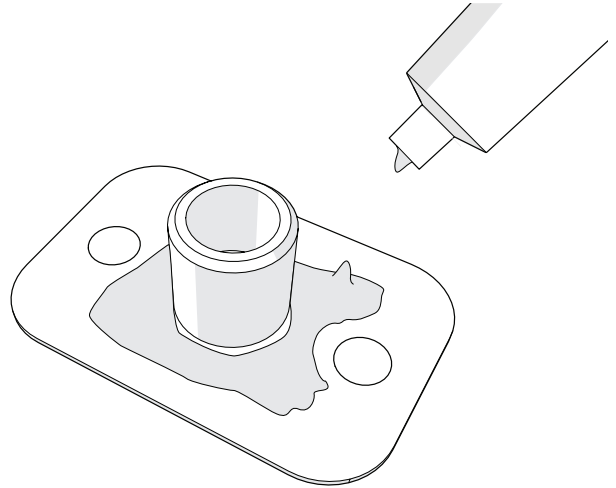
ceiling plate 20 mm  $\varnothing$ 20 mm  
15 mm (25/32 ") (25/32 ")



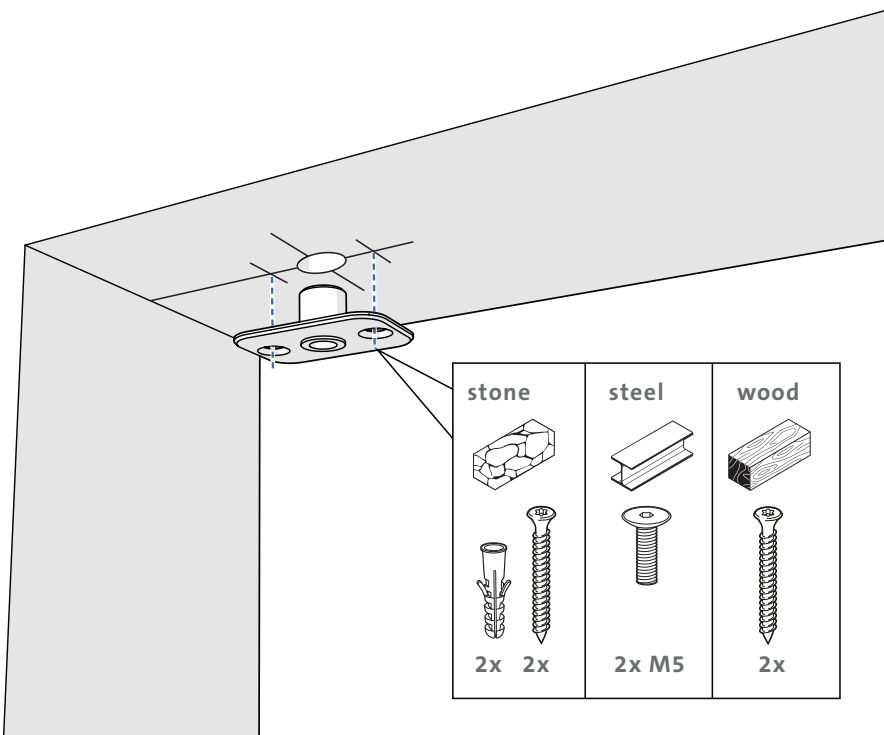
ceiling plate  $\varnothing$ 20 mm  
Cable (25/32 ")  
Grommet

**2** Apply a 1 mm thick layer of glue to the ceiling plate.



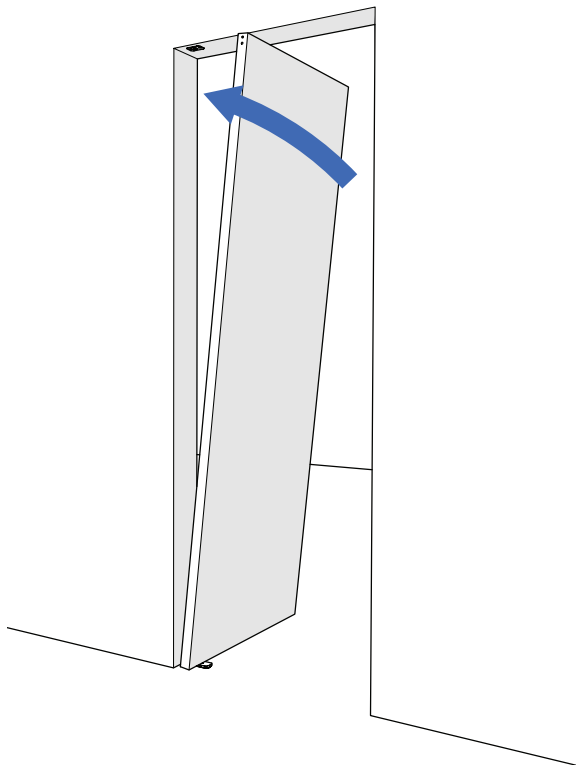
**3** Affix the ceiling plate.



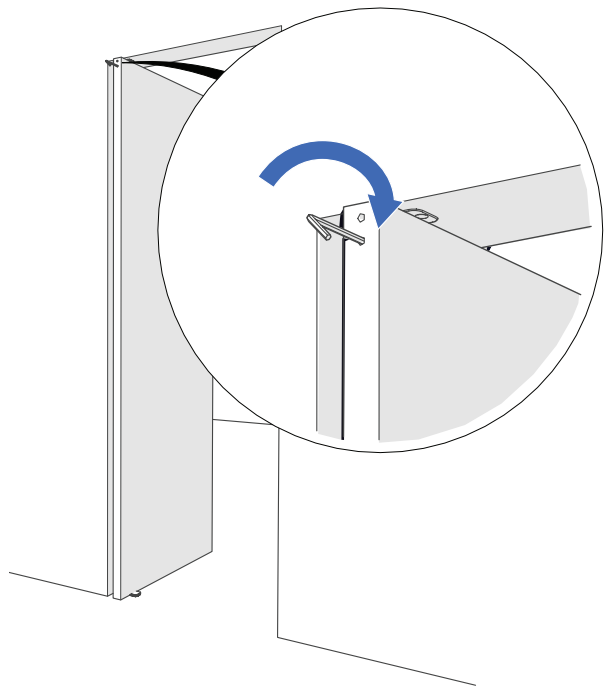
# MOUNTING

## DOOR

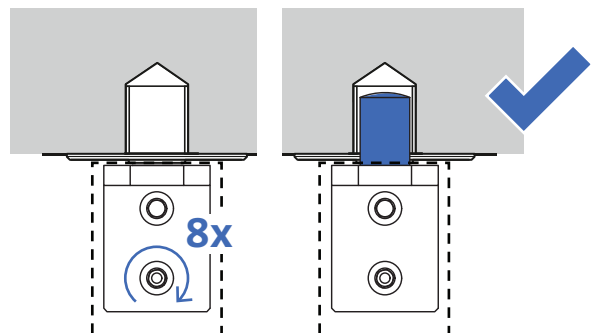
**1** Position the door on the floor plate. Make sure the bottom cam is positioned in the elliptical hole in the floor plate. Align the door with the ceiling plate.



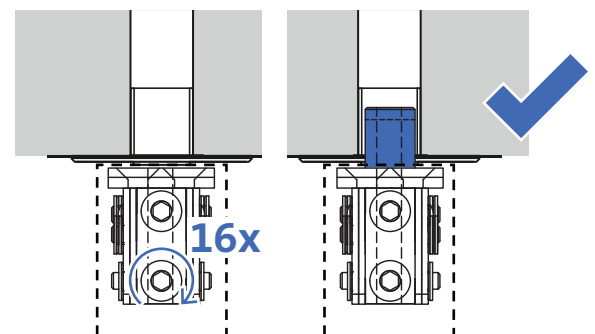
**2** Extend the pivot with Allen key 5 or use the Hexagon Guide (page 8, item 6.2).



Top pivot 70 mm → Turn the key **8** times.



Top pivot Cable Grommet → Turn the key **16** times.

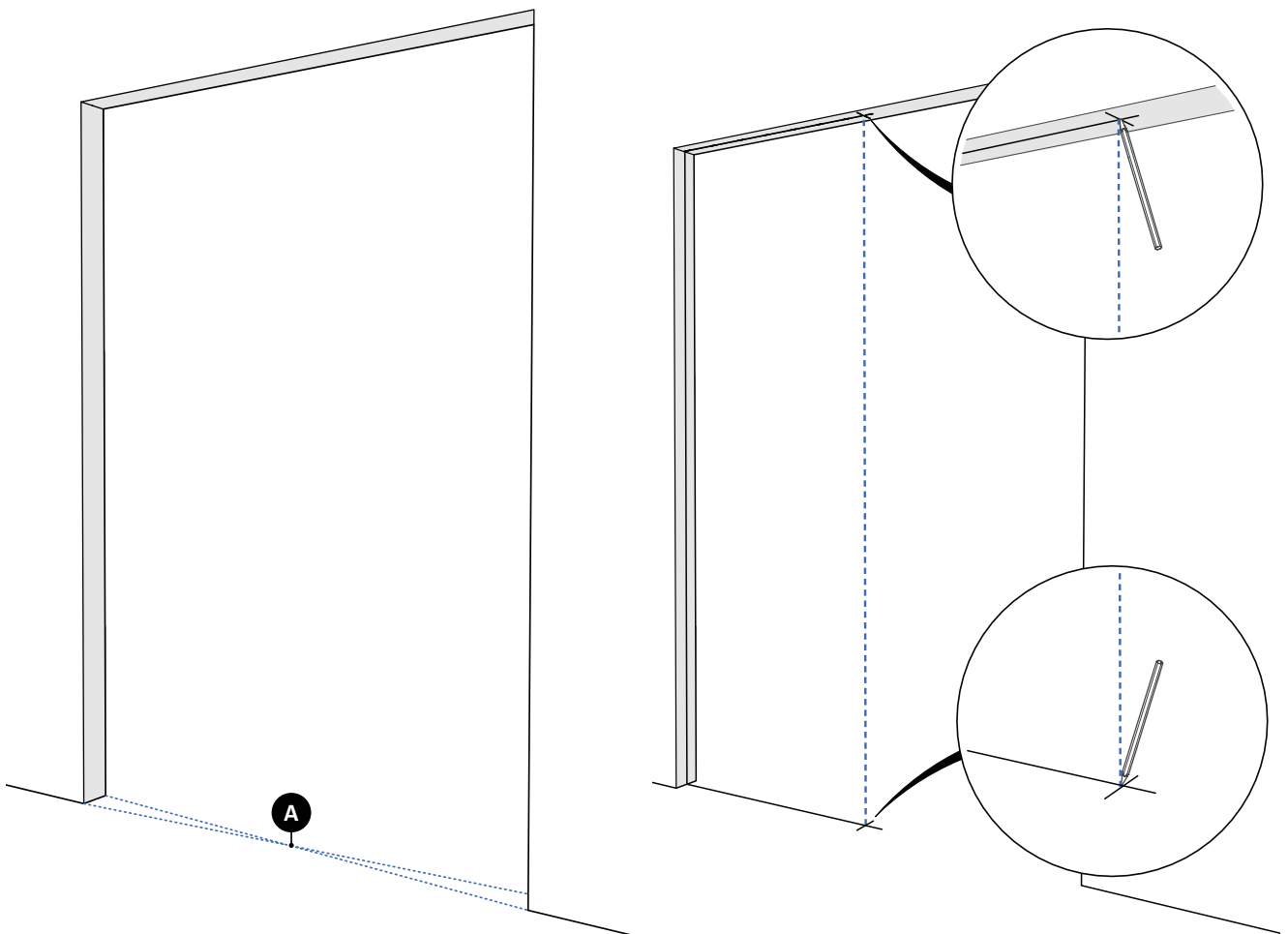


→ continue on page **23**

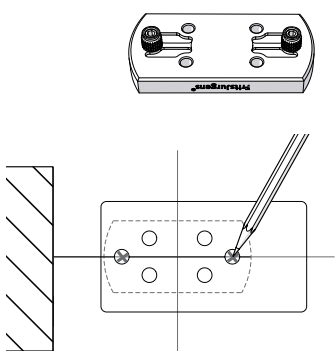
## FLOOR PLATE

**1** Determine the position of pivot point **A** in the middle of the door frame on the floor.

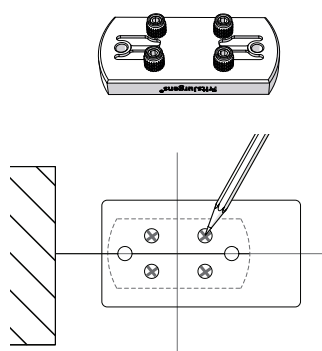
**2** Mark pivot point **A** on the floor and on the ceiling.



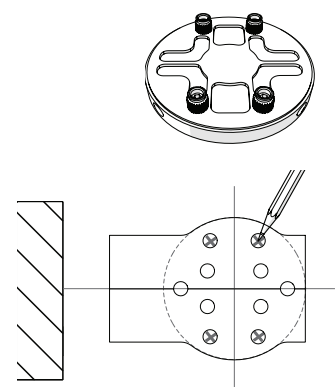
**3** Mark the drilling holes on the floor. Use the fitting template.



*Floor plate squared NA or Squared Black, one floor type*



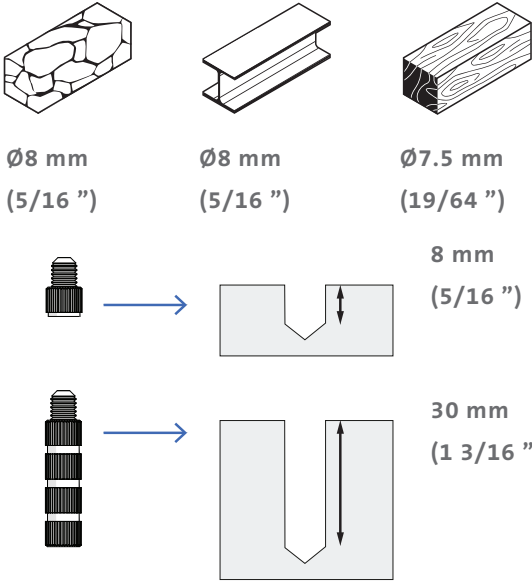
*Floor plate squared NA or Squared Black, one or two floor types*



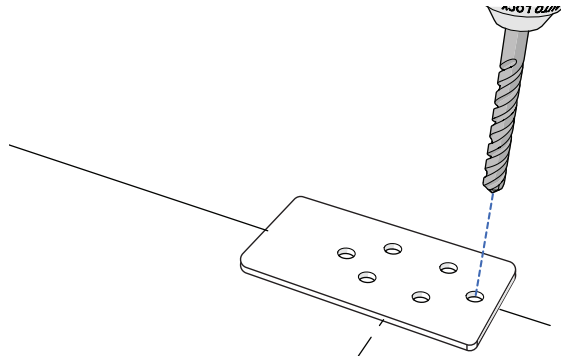
*Floor plate round, one or two floor types*

# MOUNTING

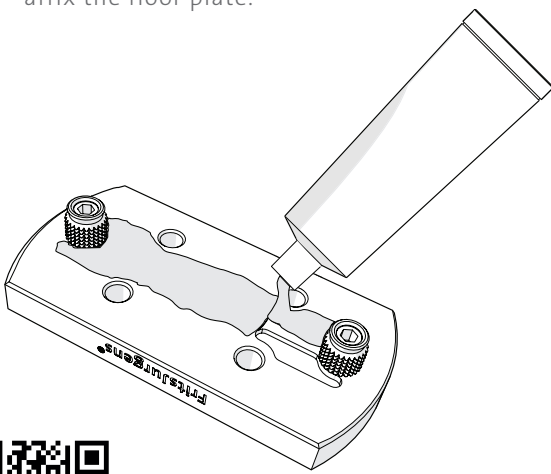
- 4 Select the correct drill bit for the floor and determine the drilling depth.



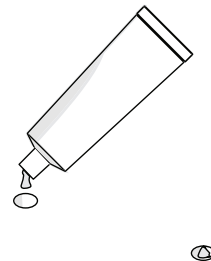
- 5 Drill the holes in the floor on the marked spots.



- 6 Apply a 1 mm thick layer of glue to the floor plate. Make sure the glue does not overflow when you affix the floor plate.

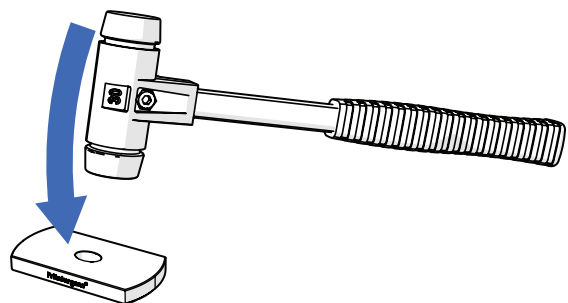
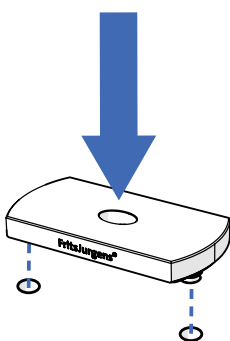


- 7 Add glue in the holes in the floor. Make sure the holes don't overflow when you place the floor plate.



\* Scan the QR code for information about drying time and glue specifications.

- 8 Use a rubber mallet to affix the floor plate.



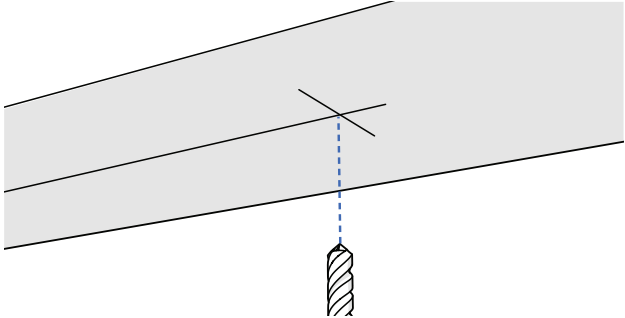
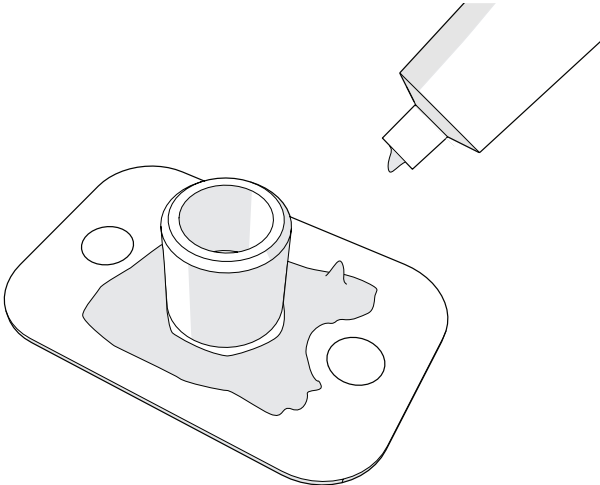
CEILING PLATE

1 Drill a hole for the ceiling plate.

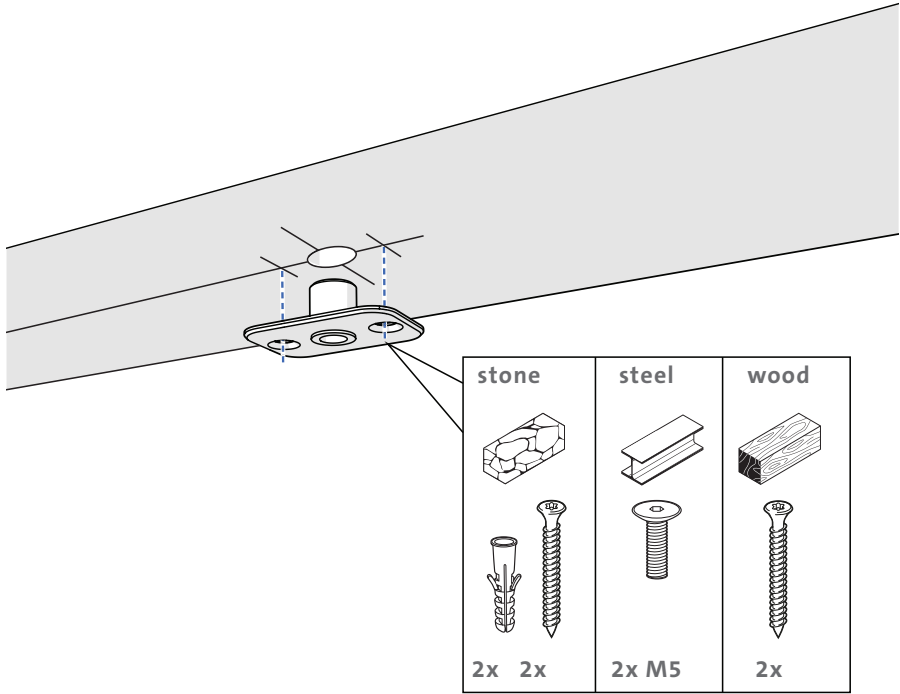
ceiling plate 20 mm  $\varnothing$ 20 mm  
15 mm (25/32 ") (25/32 ")

ceiling plate  $\varnothing$ 20 mm  
Cable (25/32 ")  
Grommet

2 Apply a 1 mm thick layer of glue to the ceiling plate.



3 Affix the ceiling plate.

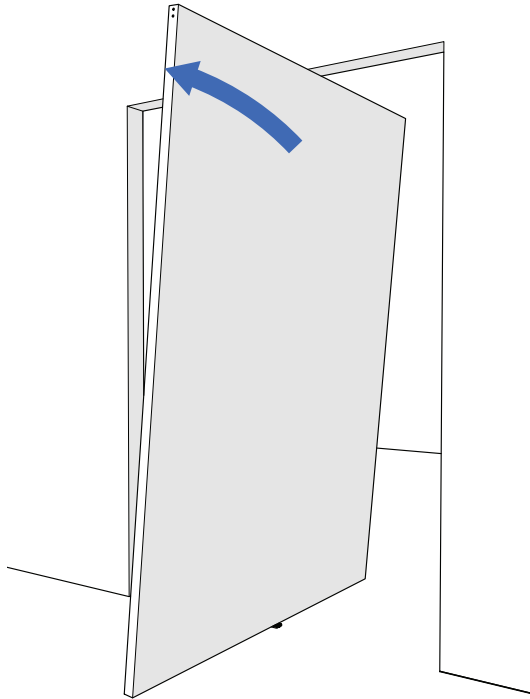


# MOUNTING

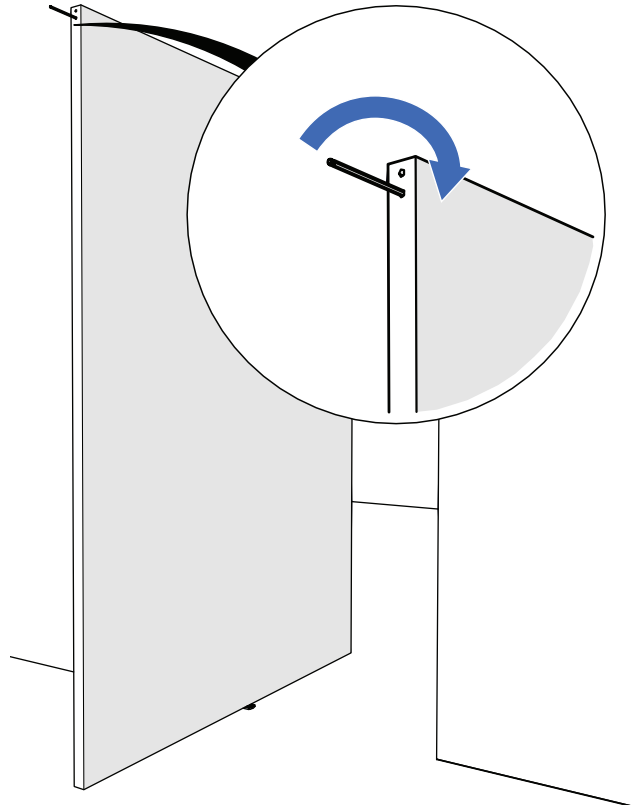
---

## DOOR

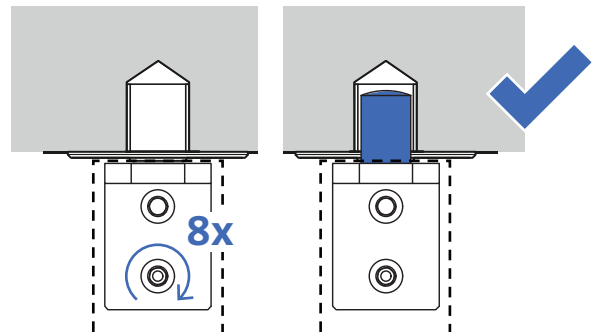
**1** Position the door on the floor plate. Make sure the bottom cam is positioned in the elliptical hole in the floor plate. Align the door with the ceiling plate.



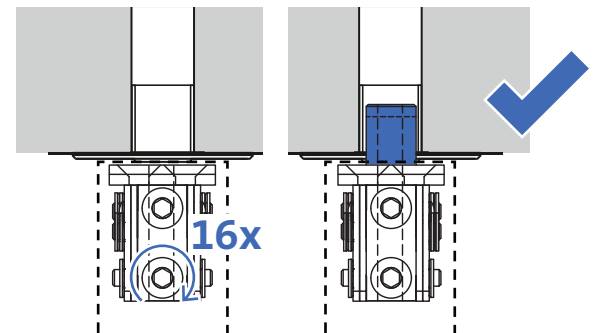
**2** Extend the pivot with the Hexagon Guide (page 8, item 6.2).



Top pivot 70 mm → Turn the key **8** times.



Top pivot Cable Grommet → Turn the key **16** times.

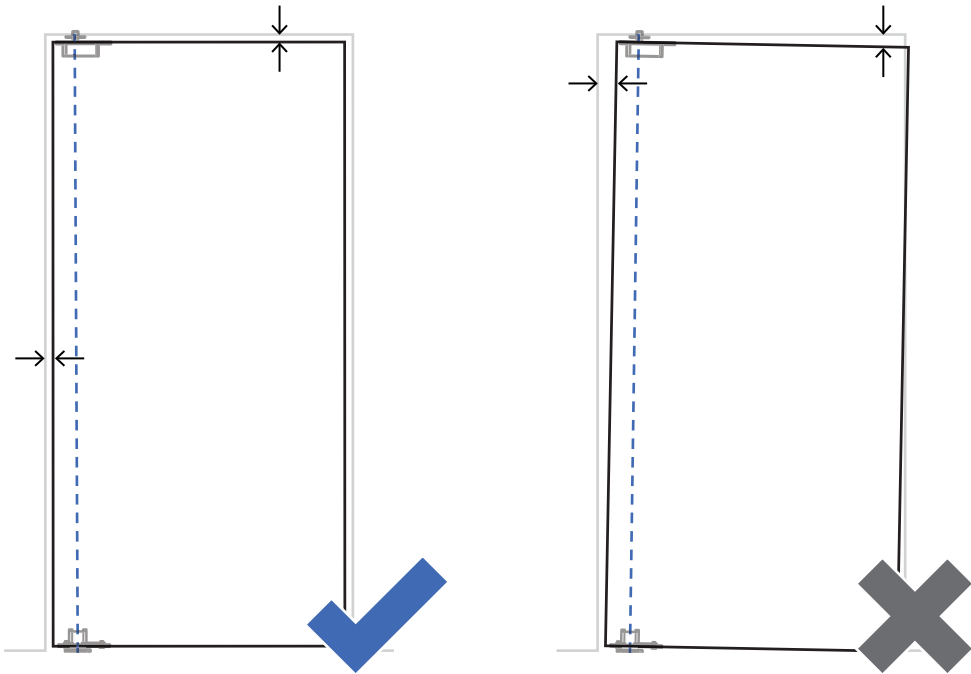


## SIDE PLACEMENT AND MIDDLE PLACEMENT

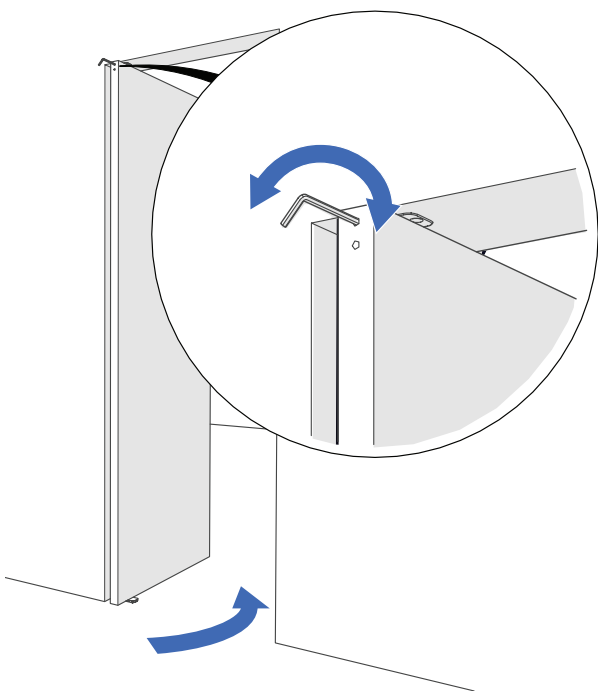
---

### FINE-TUNING THE CLOSING SEAM

- 1 Check if the door is aligned parallel to the ceiling and the wall.



- 2 Open the door. Use Allen key 5 or the hexagon (page 12, item 6.2) until the door is aligned parallel to the ceiling and the wall.



# FritsJurgens®

## FRITSJURGENS INTERNATIONAL

A. Einsteinlaan 1  
9615 TE Kolham  
The Netherlands  
+31 598 343 410  
info@fritsjurgens.com

## FRITSJURGENS ITALIA (COMMERCIAL OFFICE)

Via Marsilio Ficino 22  
50132 Firenze  
Italy  
+39 055 064 0290  
info@fritsjurgens.com

## FRITSJURGENS CONSULTING FZE (REGIONAL SALES OFFICE)

Premises No. HD67  
Floor 25  
Sheikh Rashid Tower  
Dubai World Trade Centre  
Dubai UAE

FJ.IN.TP-R.EN.2022

Copyright © FritsJurgens®

13-02-2023



8 720681 618821 >