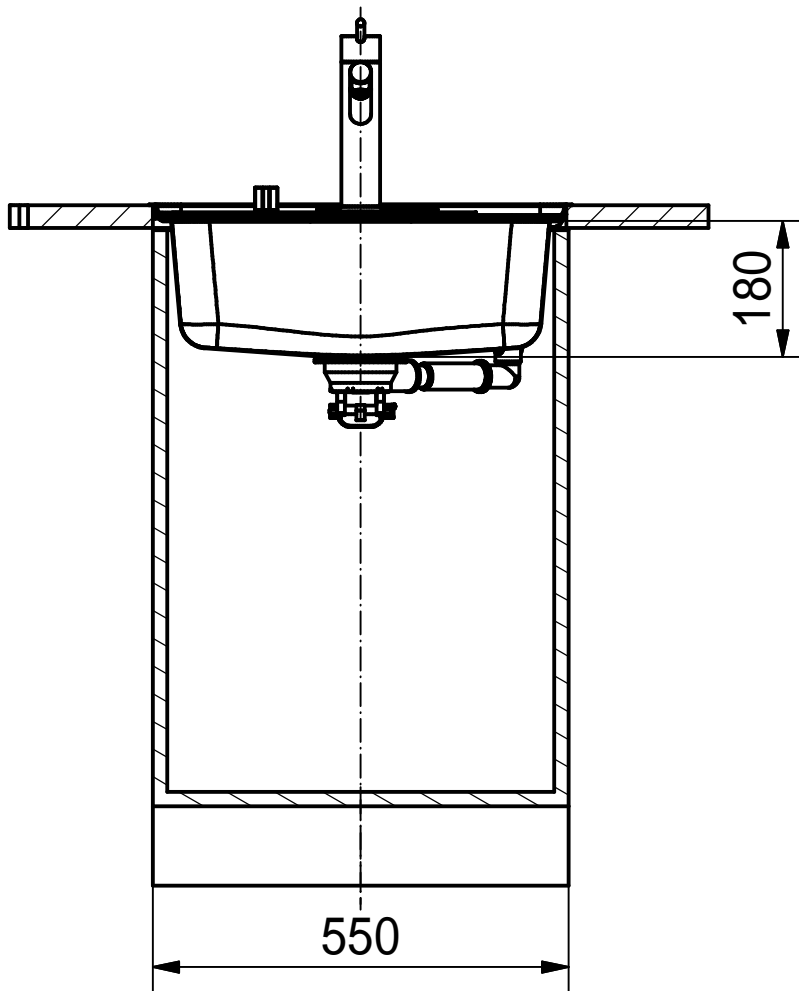


DF



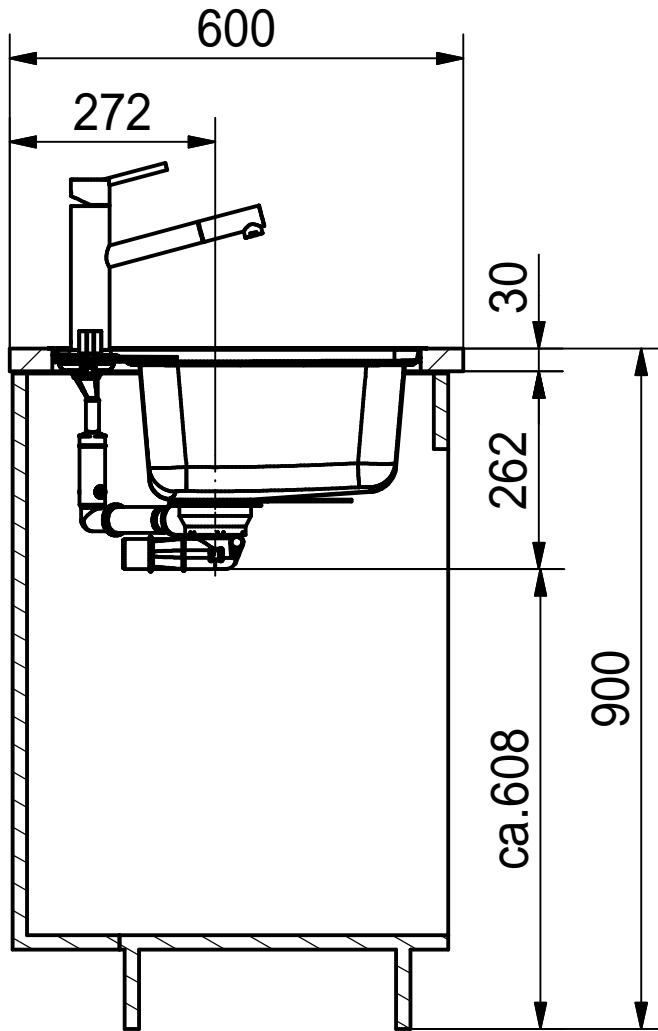
| | | | |
|--|-------------|----------|---|
| Drawing No. | 0056-185389 | Revision | A |
| Drawn Date | 07.09.2009 | | |
| <small>These drawings and specifications are the property of NIRO-Plan AG and shall not be reproduced, copied or transferred to any third party without the prior written permission of NIRO-Plan AG, Aarburg, Switzerland</small> | | | |

Franke Küchentechnik AG
CH-4663 Aarburg
Phone: +41 62 787 31 31
Internet: www.franke.com

LAX610o.K
installing document

| | |
|-------|--------|
| Sheet | Sheets |
| 1 | 6 |

DS



| | | | |
|--|-------------|----------|---|
| Drawing No. | 0056-185389 | Revision | A |
| Drawn Date | 07.09.2009 | | |
| <small>These drawings and specifications are the property of NIRO-Plan AG and shall not be reproduced, copied or transferred to any third party without the prior written permission of NIRO-Plan AG, Aarburg, Switzerland</small> | | | |

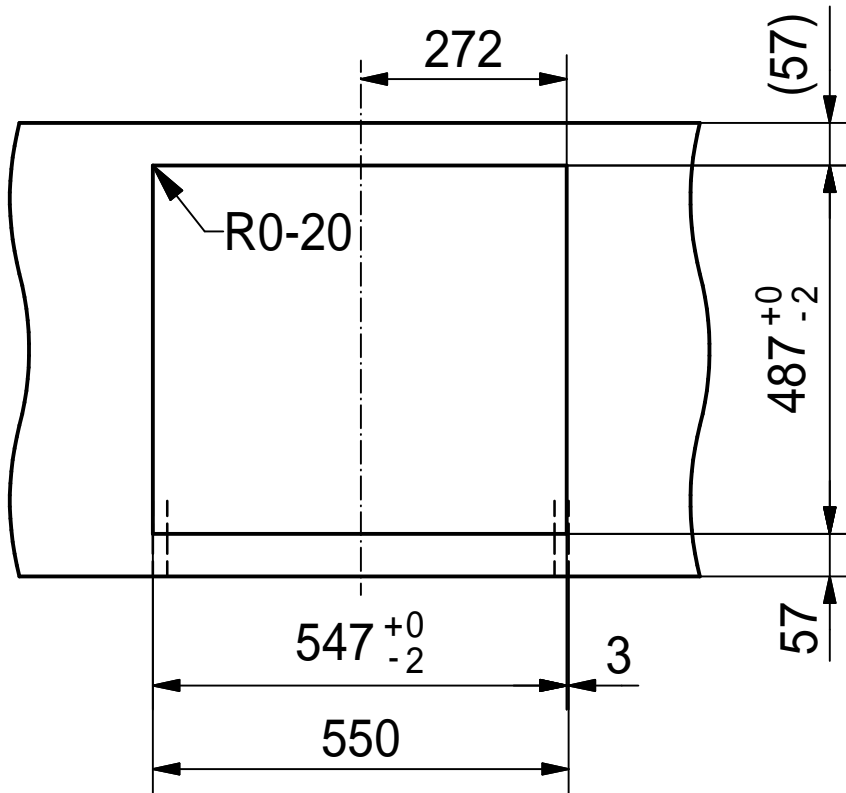
Franke Küchentechnik AG
CH-4663 Aarburg
Phone: +41 62 787 31 31
Internet: www.franke.com

LAX610o.K

installing document

| | |
|-------|--------|
| Sheet | Sheets |
| 2 | 6 |

CO



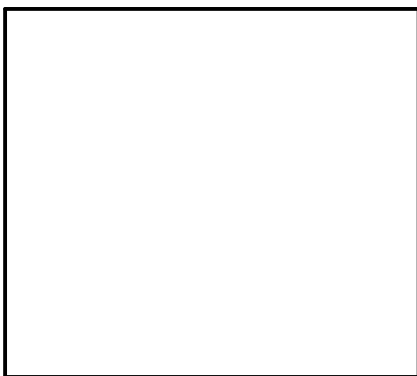
| | | | |
|---|-------------|----------|---|
| Drawing No. | 0056-185389 | Revision | A |
| Drawn Date | 07.09.2009 | | |
| These drawings and specifications are the property of NIRO-Plan AG and shall not be reproduced, copied or transferred to any third party without the prior written permission of NIRO-Plan AG, Aarburg, Switzerland | | | |

Franke Küchentechnik AG
CH-4663 Aarburg
Phone: +41 62 787 31 31
Internet: www.franke.com

LAX610o.K
installing document

| | |
|-------|--------|
| Sheet | Sheets |
| 3 | 6 |

CNC



| | | | |
|--|-------------|----------|---|
| Drawing No. | 0056-185389 | Revision | A |
| Drawn Date | 07.09.2009 | | |
| <small>These drawings and specifications are the property of NIRO-Plan AG and shall not be reproduced, copied or transferred to any third party without the prior written permission of NIRO-Plan AG, Aarburg, Switzerland</small> | | | |

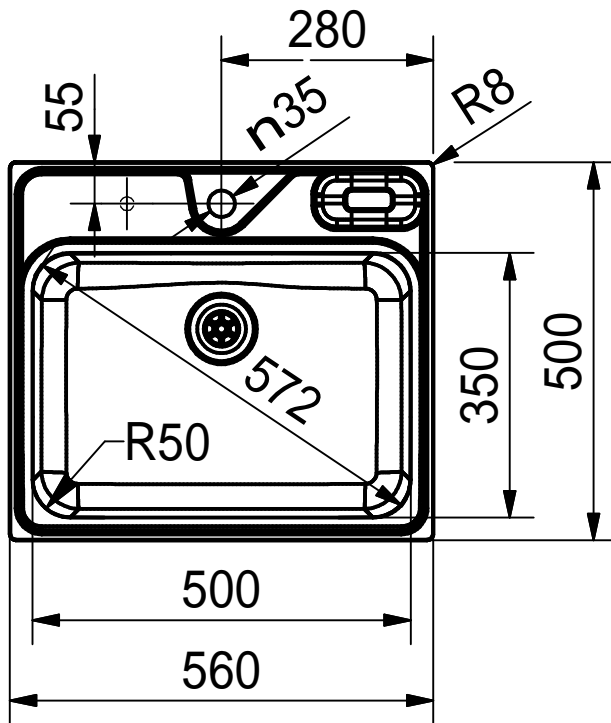
Franke Küchentechnik AG
CH-4663 Aarburg
Phone: +41 62 787 31 31
Internet: www.franke.com

LAX610o.K

installing document

| | |
|-------|--------|
| Sheet | Sheets |
| 4 | 6 |

DT



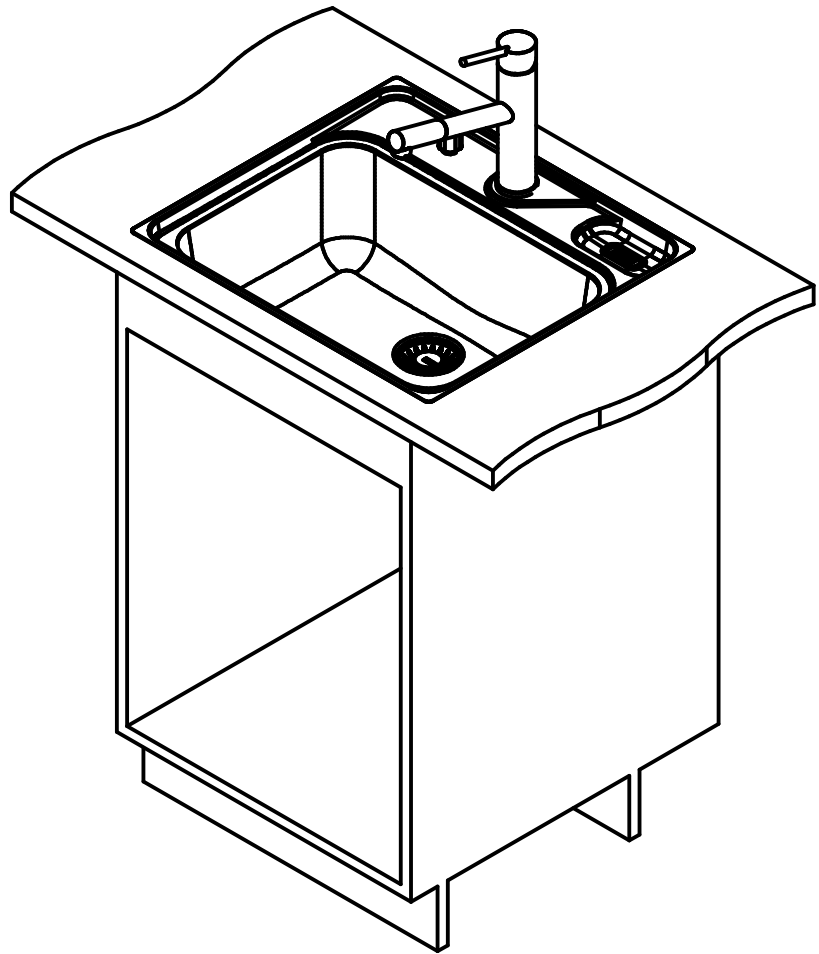
| | | | |
|--|-------------|----------|---|
| Drawing No. | 0056-185389 | Revision | A |
| Drawn Date | 07.09.2009 | | |
| <small>These drawings and specifications are the property of NIRO-Plan AG and shall not be reproduced, copied or transferred to any third party without the prior written permission of NIRO-Plan AG, Aarburg, Switzerland</small> | | | |

Franke Küchentechnik AG
CH-4663 Aarburg
Phone: +41 62 787 31 31
Internet: www.franke.com

LAX610o.K
installing document

| | |
|-------|--------|
| Sheet | Sheets |
| 5 | 6 |

ISO



Drawing No. 0056-185389 Revision A

Drawn Date 07.09.2009

These drawings and specifications are the property of NIRO-Plan AG and shall not be reproduced, copied or transferred to any third party without the prior written permission of NIRO-Plan AG, Aarburg, Switzerland

Franke Küchentechnik AG
CH-4663 Aarburg
Phone: +41 62 787 31 31
Internet: www.franke.com

LAX610o.K
installing document

Sheet Sheets

6 6