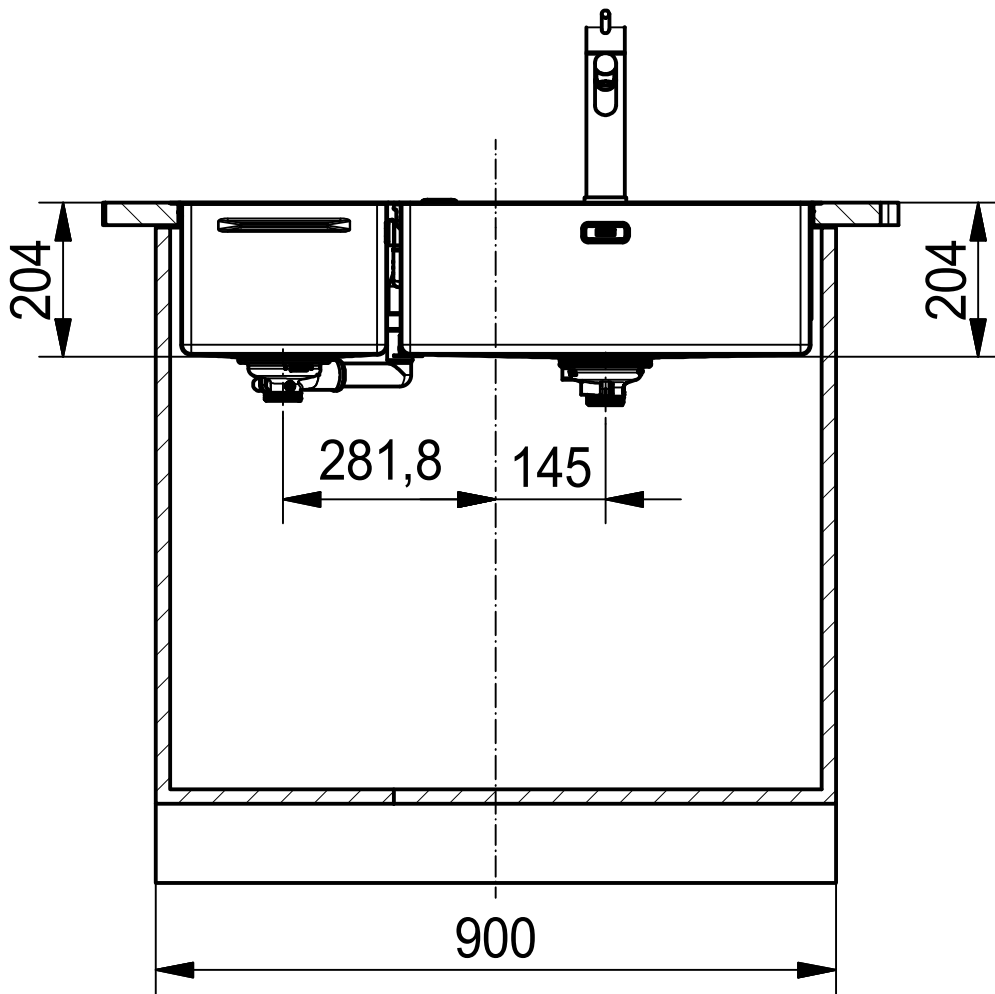


DF



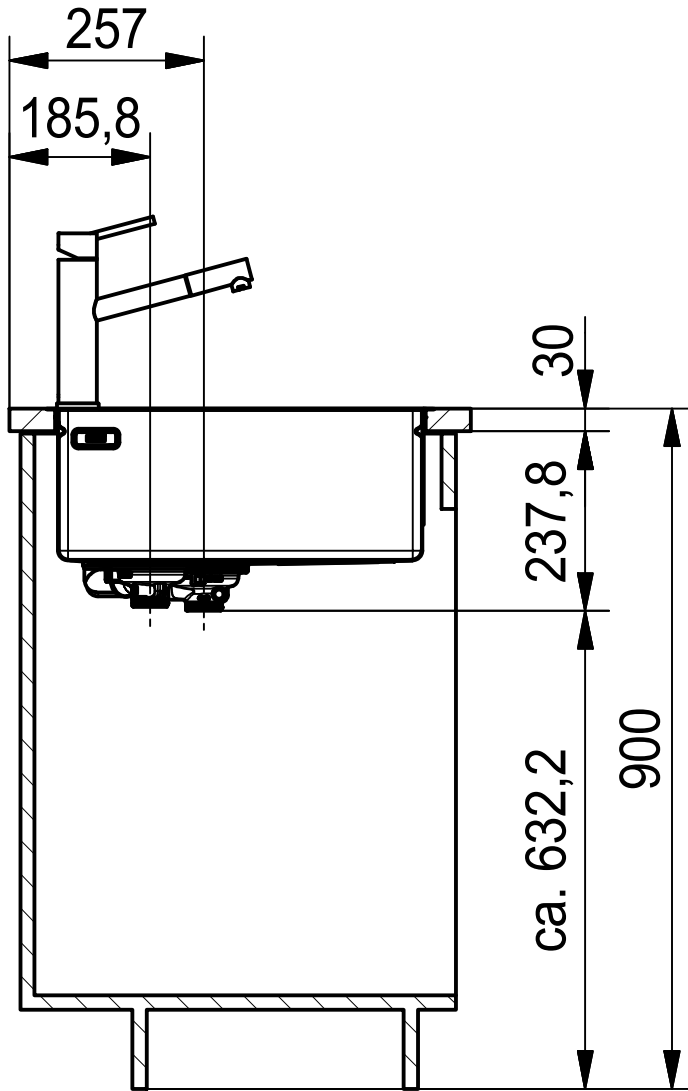
Drawing No.	20117949	Revision	
Drawn Date	09.05.2018		
<small>These drawings and specifications are the property of Franke Technology and Trademark Ltd. and shall not be reproduced, copied or transferred to any third party without the prior written permission of Franke Technology and Trademark Ltd., Hergiswil, Switzerland</small>			



**BWX 220-54-27 SBL TL SI**  
installing document

Sheet	Sheets
1	6

DS



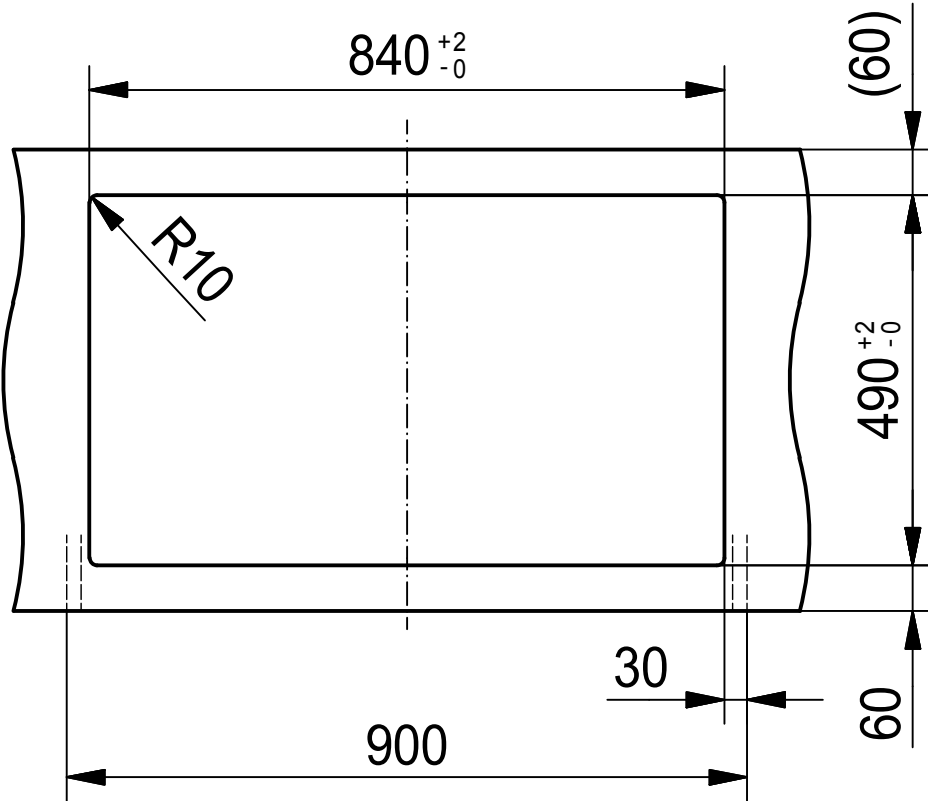
Drawing No.	20117949	Revision	
Drawn Date	09.05.2018		
<small>These drawings and specifications are the property of Franke Technology and Trademark Ltd. and shall not be reproduced, copied or transferred to any third party without the prior written permission of Franke Technology and Trademark Ltd., Hergiswil, Switzerland</small>			



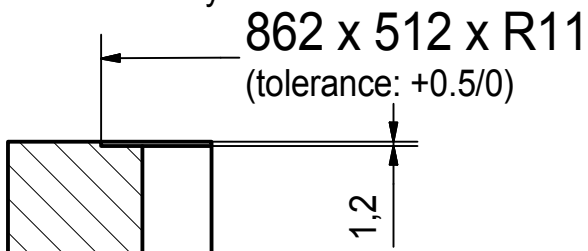
**BWX 220-54-27 SBL TL SI**  
installing document

Sheet	Sheets
2	6

CO



for flush fit only



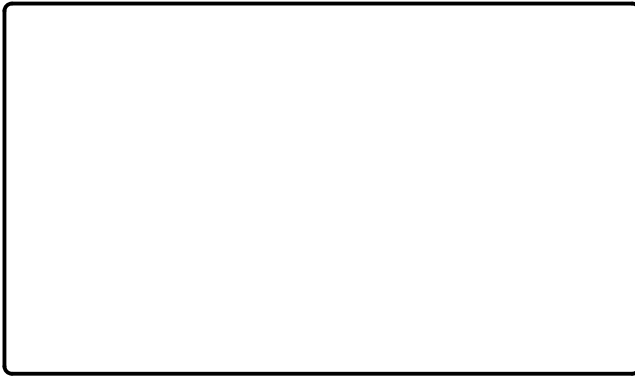
Drawing No.	20117949	Revision	
Drawn Date	09.05.2018		
<small>These drawings and specifications are the property of Franke Technology and Trademark Ltd. and shall not be reproduced, copied or transferred to any third party without the prior written permission of Franke Technology and Trademark Ltd., Hergiswil, Switzerland</small>			



**BWX 220-54-27 SBL TL SI**  
installing document

Sheet	Sheets
3	6

CNC



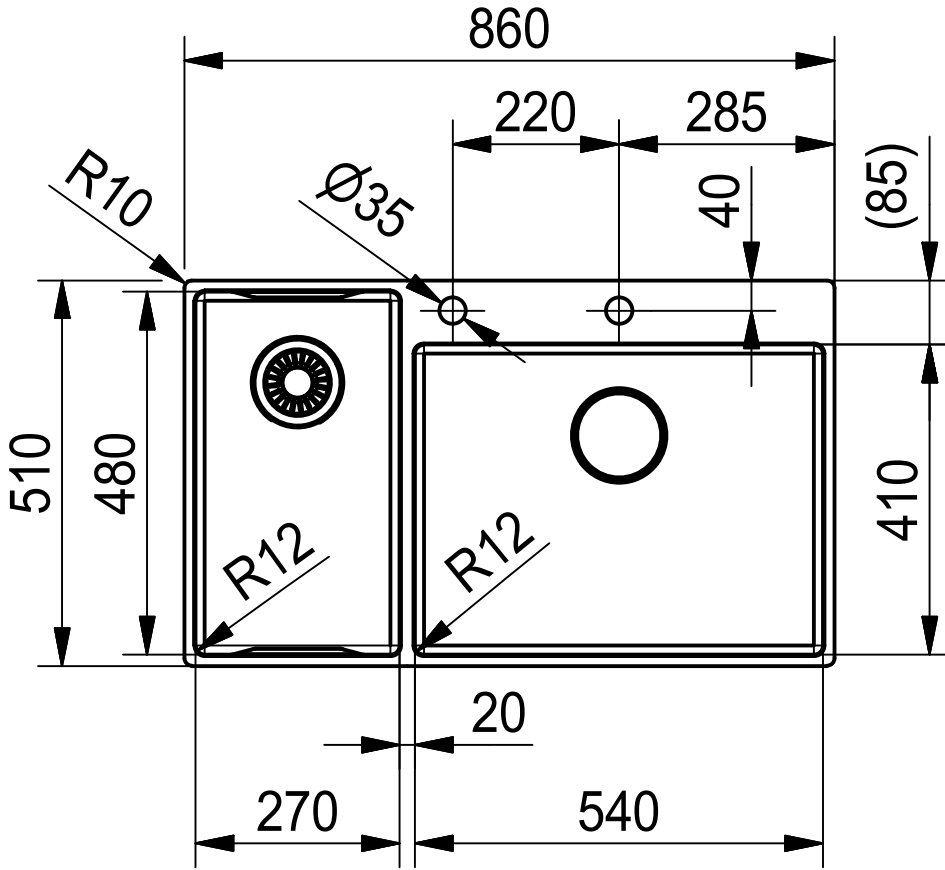
Drawing No.	20117949	Revision	
Drawn Date	09.05.2018		
<small>These drawings and specifications are the property of Franke Technology and Trademark Ltd. and shall not be reproduced, copied or transferred to any third party without the prior written permission of Franke Technology and Trademark Ltd., Hergiswil, Switzerland</small>			



**BWX 220-54-27 SBL TL SI**  
installing document

Sheet	Sheets
4	6

DT



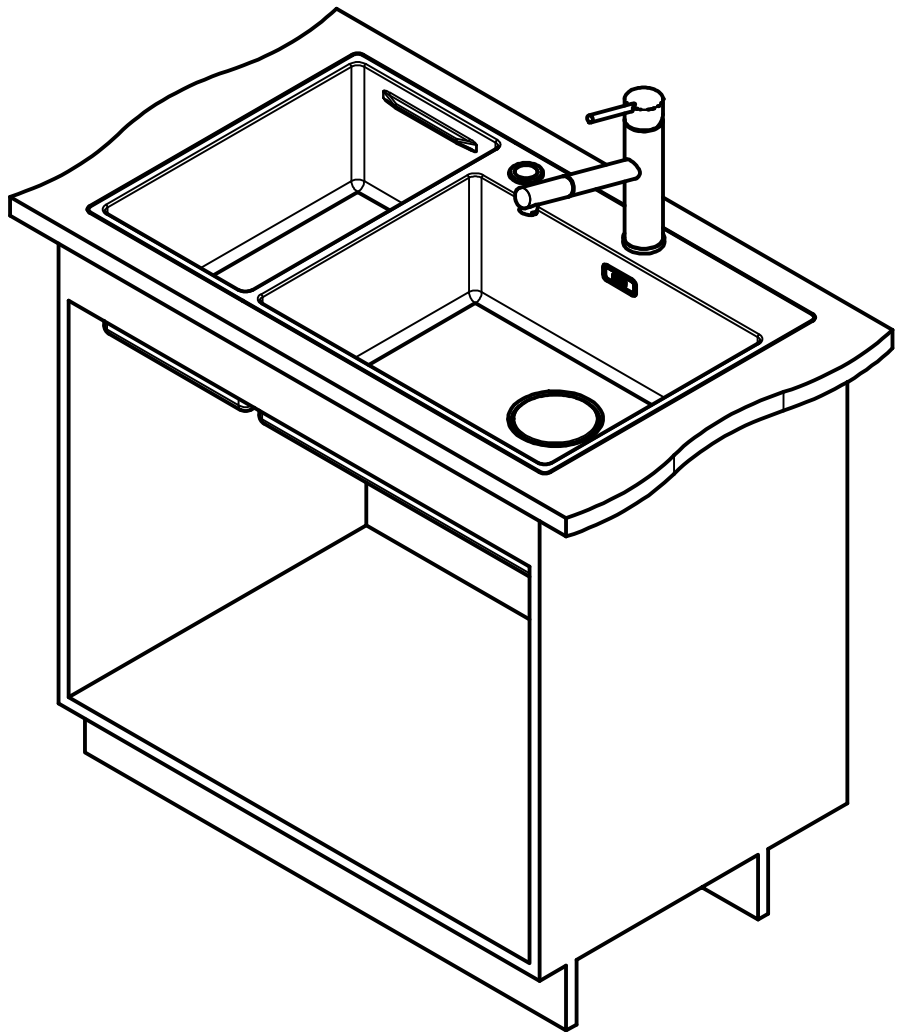
Drawing No.	20117949	Revision	
Drawn Date	09.05.2018		
<small>These drawings and specifications are the property of Franke Technology and Trademark Ltd. and shall not be reproduced, copied or transferred to any third party without the prior written permission of Franke Technology and Trademark Ltd., Hergiswil, Switzerland</small>			



**BWX 220-54-27 SBL TL SI**  
installing document

Sheet	Sheets
5	6

ISO



Drawing No.	20117949	Revision	
Drawn Date	09.05.2018		
<small>These drawings and specifications are the property of Franke Technology and Trademark Ltd. and shall not be reproduced, copied or transferred to any third party without the prior written permission of Franke Technology and Trademark Ltd., Hergiswil, Switzerland</small>			



**BWX 220-54-27 SBL TL SI**  
installing document

Sheet	Sheets
6	6