

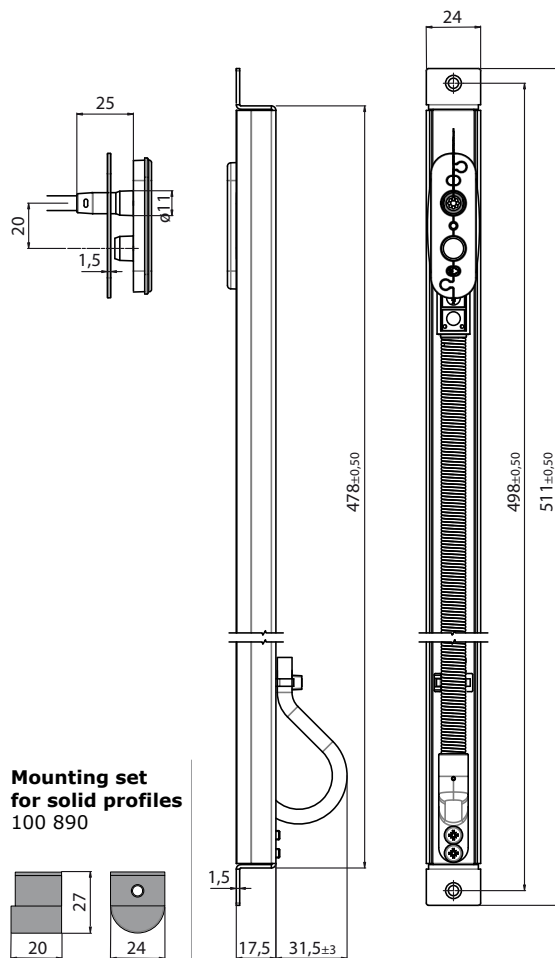
**Technical data:**

Electrical parameters: 2,5 A; 48 V DC  
 Cable: Li9Y11Y, 8 x 0,34 mm<sup>2</sup>, RoHS compliant  
 IP Rating: IP40 / connector IP67  
 Temperature: from -20 °C to +75 °C

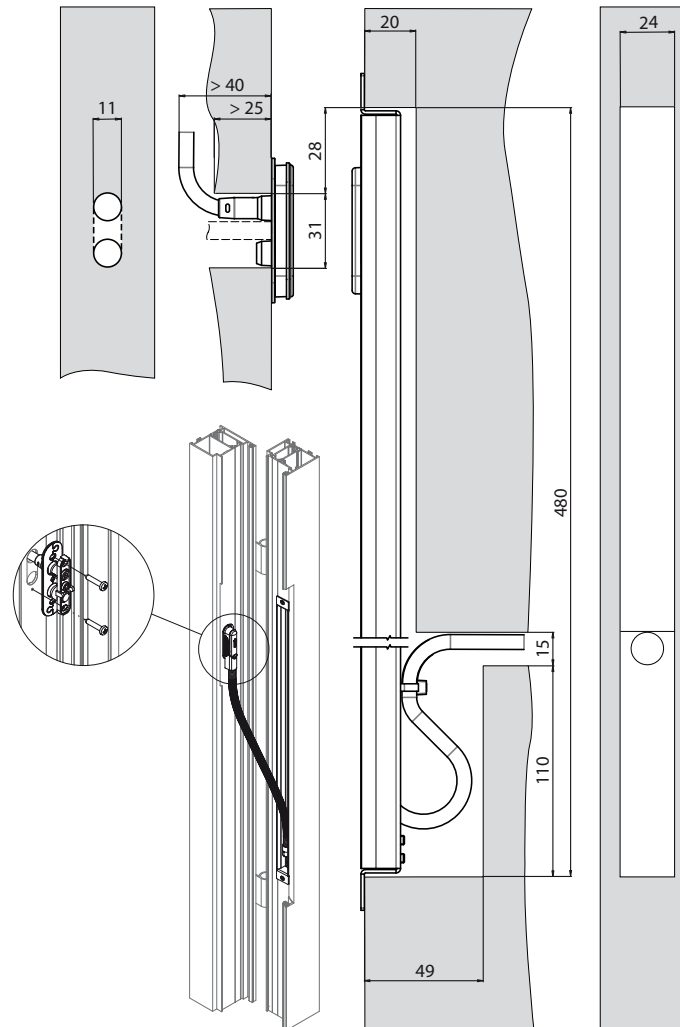


MONTAGEANLEITUNG  
 MOUNTING INSTRUCTIONS  
 MONTÁŽNÍ NÁVOD  
 NOTICE DE MONTAGE  
 ISTRUZIONI DI MONTAGGIO  
 MONTAGEAANWIJZING  
 MONTÁŽNY NÁVOD  
 NAVODILA ZA MONTAŽO  
 ID179/453: Version 3, 22.07.2015  
<http://www.ekey.net/downloads>

**Dimensions**



**Milling dimensions for mounting into hollow profiles**



**Milling dimensions for mounting into solid profiles**

