

# LEG CONNECTOR "CONAN"

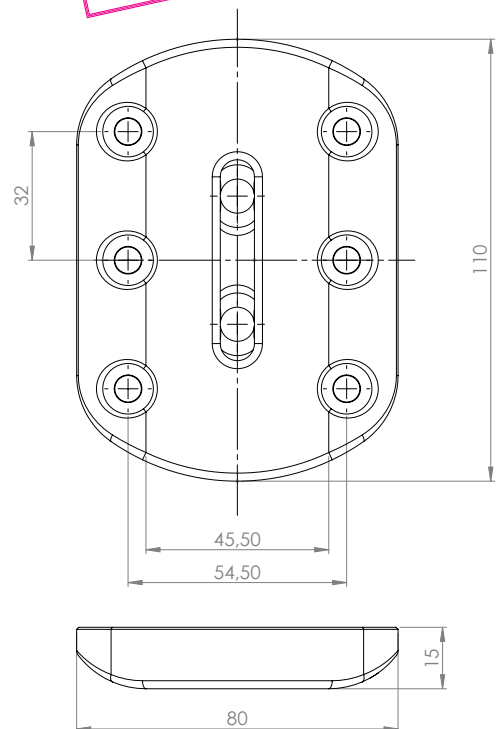


## ANGLE ADJUSTMENT LEG CONNECTOR "CONAN"

Intelligent self-adjusting stainless steel leg connector bracket. Ideal for any kind of furniture with slanted legs. Due to its rocking stainless steel nuts the bracket may be used from 0 – 25 degrees. Fixed to the leg by 2 special wood screws.



**PATENTED**



LEG CONNECTOR "CONAN"

Material: SS-304  
 Size: 80 x 110 x 15 mm (W/L/H)  
 Screw holes: Ø 6,5 mm

Item No.:  
 Black # 52.258.10  
 Raw # 52.258.11

Packing: 1 pce. per inner box.

Wood screws to be bought separately.  
 (Must be used for perfect function)

# LEG CONNECTOR "CONAN"

- high quality furniture fittings



1. Drill two holes straight into the leg  
(Recommended hole size  $\text{Ø}7 \times 70 \text{ mm}$ )



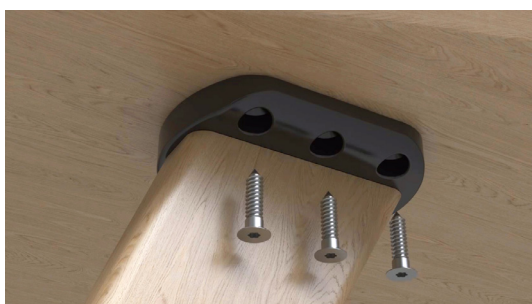
2. Cut the top of the leg into the desired angle



3. Fix the bracket to the leg with the 2 special wood screws



4. The nuts adjust themselves to the angle of the leg



5. Fix the bracket to your furniture



## WOOD SCREW

Material: SS-304  
Size:  $\text{Ø} 7 \times 80 \text{ mm}$ , Torx 30

Item No.: # 52.258.15

(2 pcs pr. bracket)

