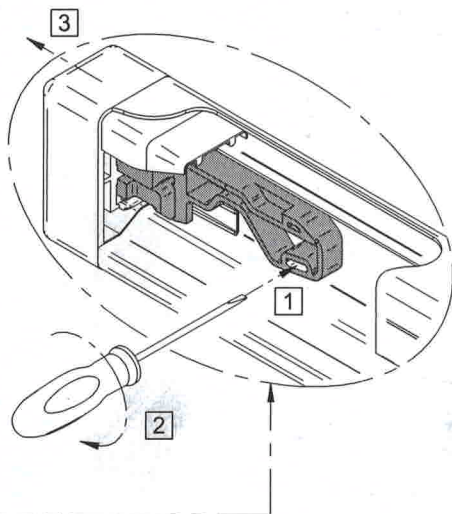
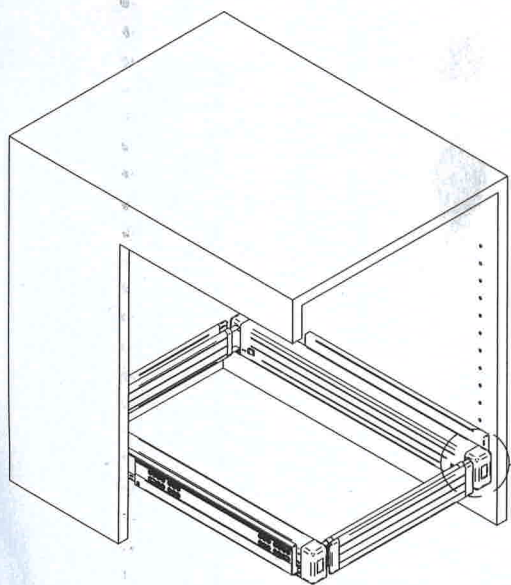
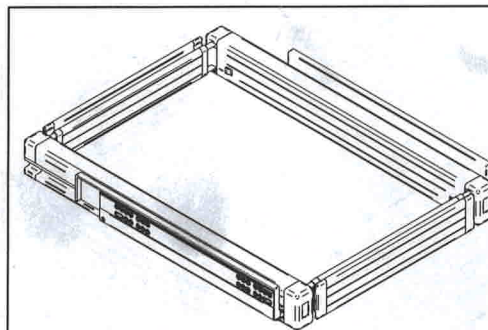


- SMONTAGGIO TELAIO
- UNCLIPPING THE FRAME FROM SLIDES
- ENLEVEMENT DU CADRE DES COULISSES
- RAHMENSDEMONTAGE
- COMO QUITAR EL BASTIDOR DE LAS GUIAS



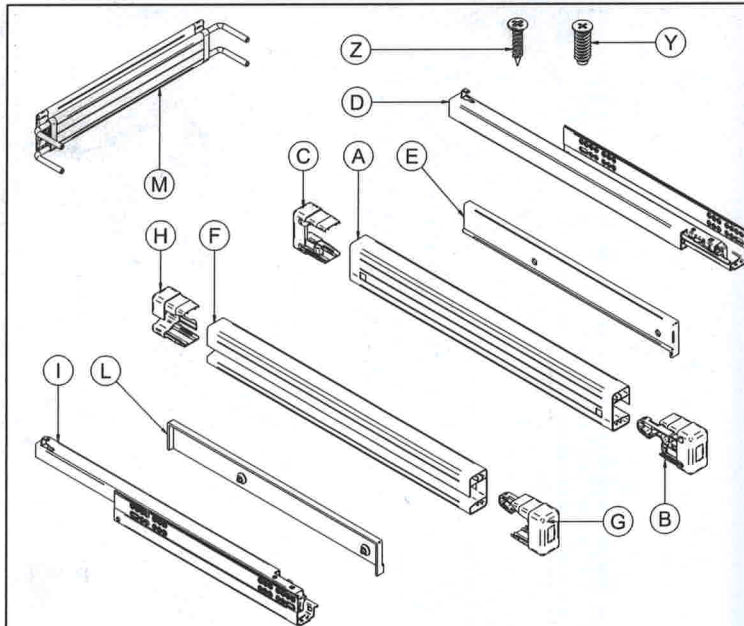
Portata massima: 40  
 Maximum load: Kg  
 Charge maxi:  
 Maximale belastbarkeit:  
 Carga maxima:

**Istruzioni di montaggio**  
 Assembling instructions  
 Notice de montage  
 Montageanleitung  
 Manual de montaje



AT41/55SM  
 AT55/69SM  
 AT69/83SM  
 AT83/97SM  
 AT97/110SM

10 min.	1		



**PRIMA DI COMINCIARE, VEDERE I CONSIGLI DI MONTAGGIO**

BEFORE STARTING, REFER TO THE ASSEMBLING ADVICE IN ANNEX

AVANT DE COMMENCER, SE REPORTER AUX CONSEILS DE MONTAGE EN ANNEXE

VOR DIE MONTAGE, BITTE BEILIEGENDE ANWEISUNGEN FOLGEN

ANTES DE EMPEZAR CONSULTE LOS CONSEJOS PARA EL MONTAJE

A x 1	B x 1	C x 1	D x 1	E x 1	F x 1	G x 1	H x 1
I x 1	L x 1	M x 2					
						Y x 2	Z x 8

