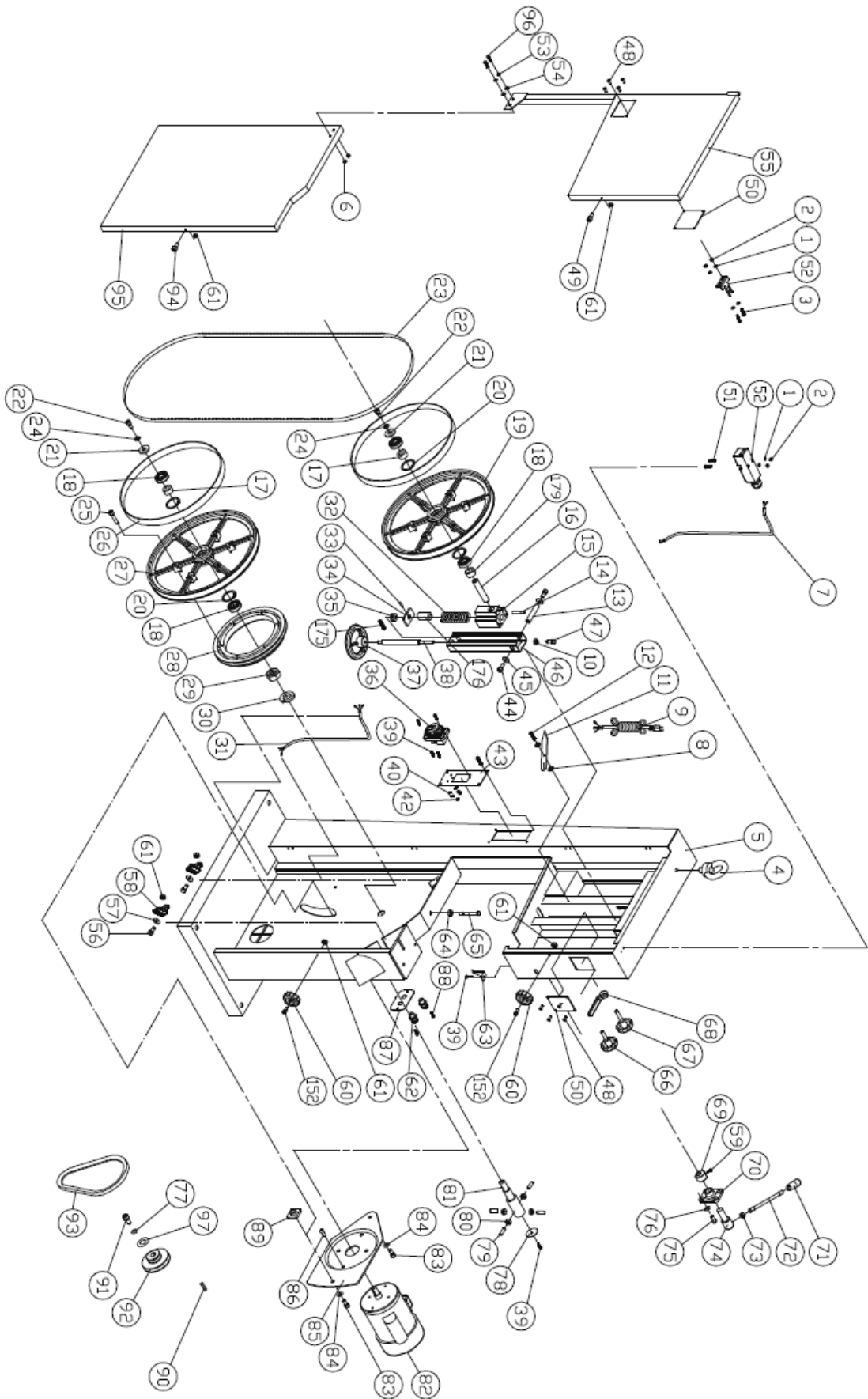
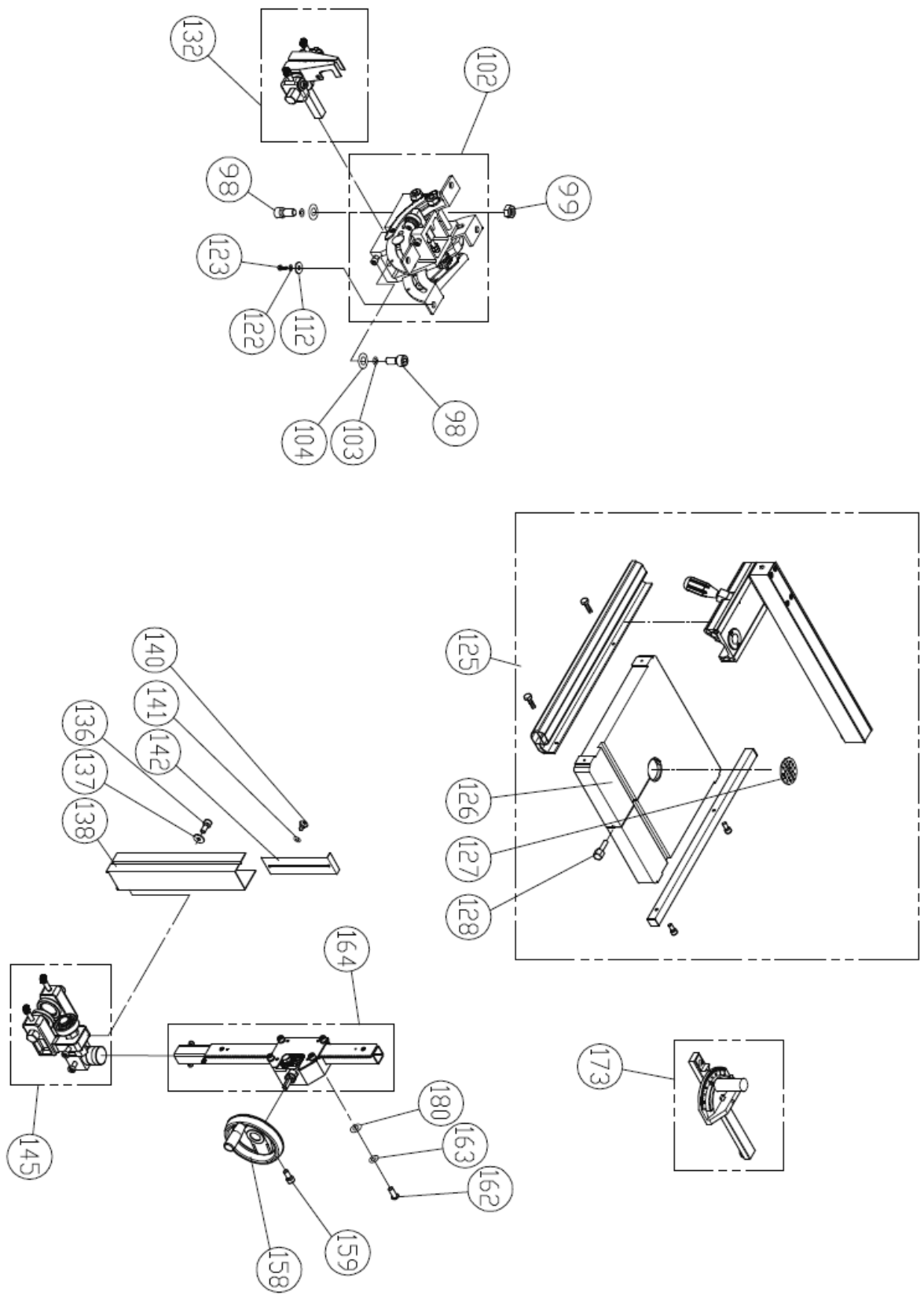
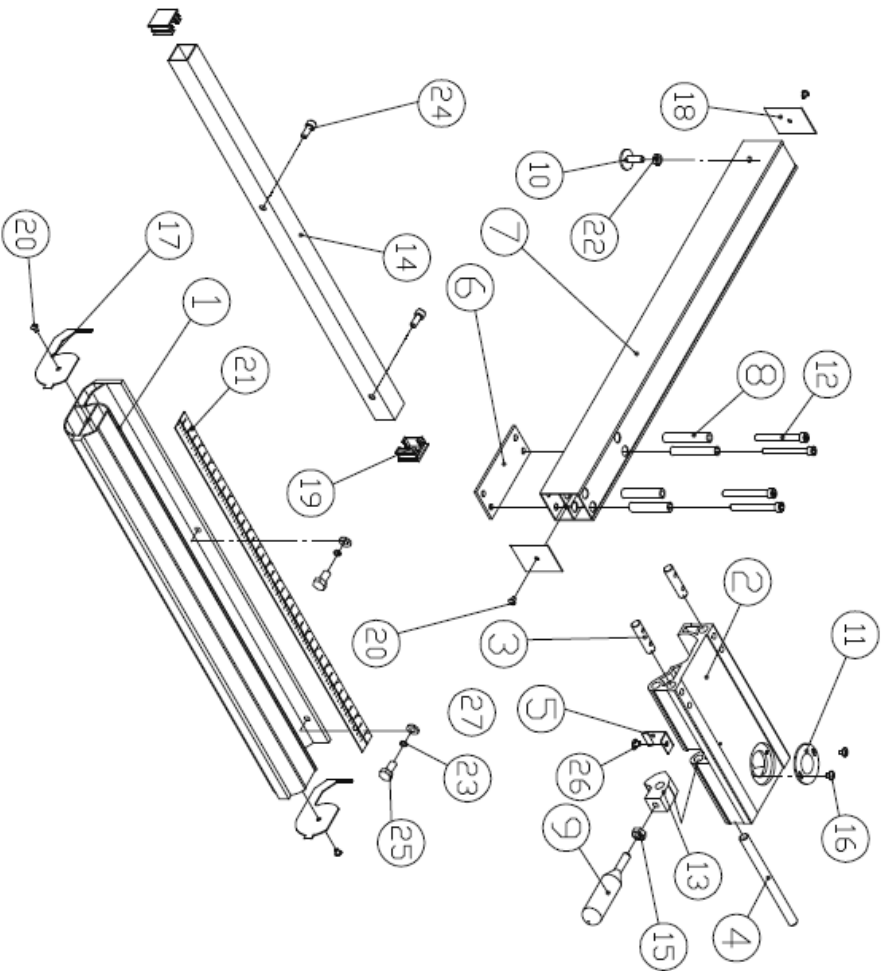


Holzbandsäge Proton HBS-430-2M / T



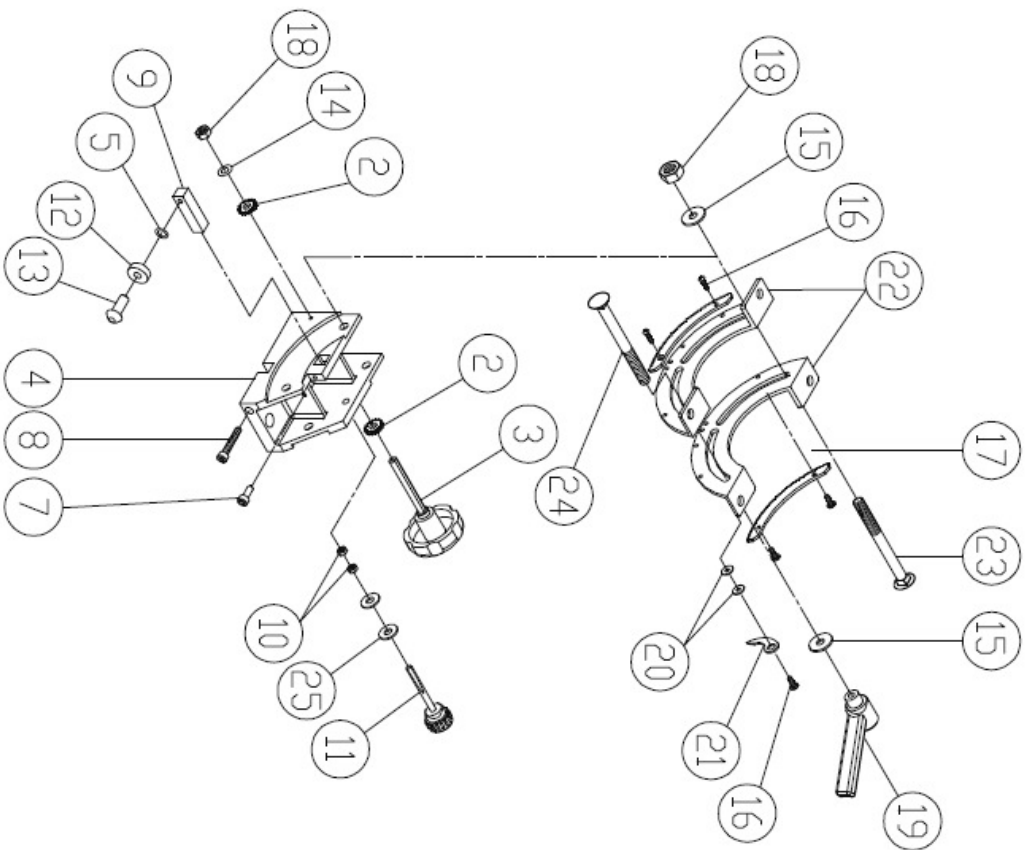


MODEL NO.: 17 Inch Band Saw
 PART NO.: AB198002
 FENCE SET

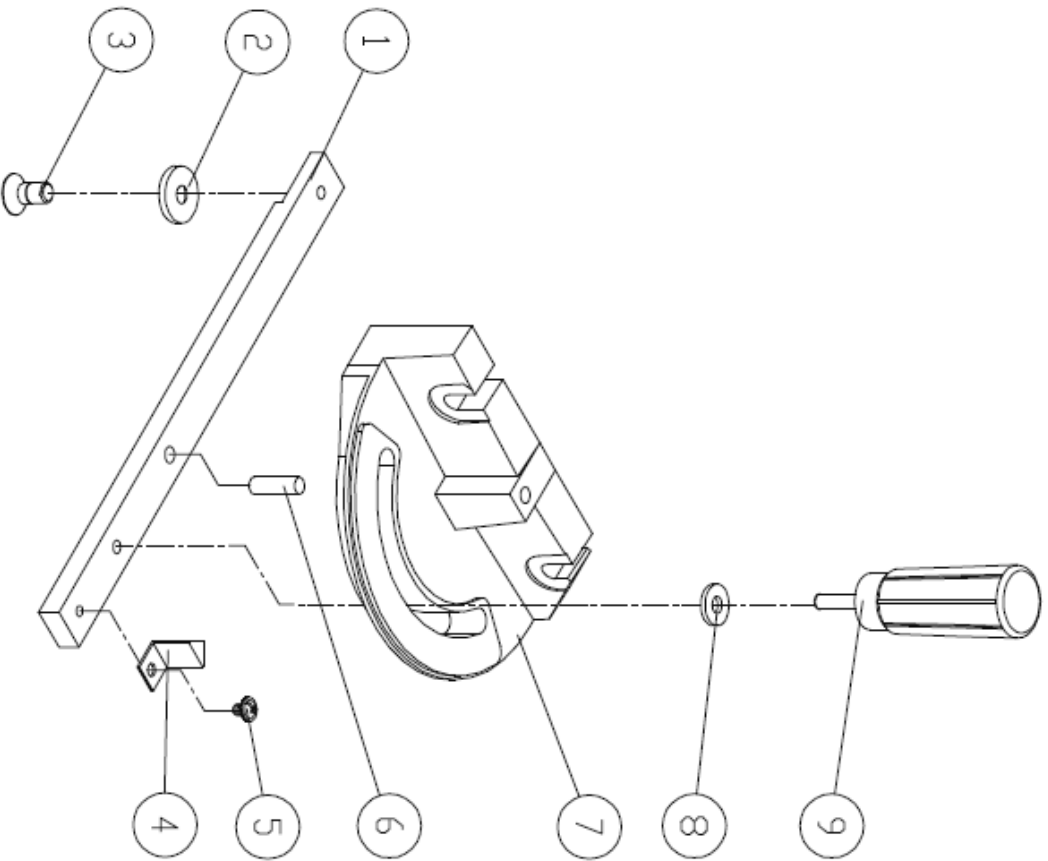


KEY NO.	PARTS NO.	DESCRIPTION	SIZE	QTY
27	WF061310	FLAT WASHER	M6x13	2
26	SFO49200	PAN HEAD BOLT W/FLANGE	M4x8	1
25	SH060400	HEX HEAD BOLT	M6x20	2
24	SR069400	HEX SOCKET BOLT	M6x16	2
23	WS060000	SPRING WASHER	M6	2
22	NH061000	NUT	M6	1
21	LM000539	SCALE		1
20	ST039200	TAPPING SCREW	3.5x8	4
19	198016	PLUGGED		2
18	198015	GUARD PIECE		2
17	198014	GUARD PIECE		2
16	SFO49100	PAN HEAD BOLT W/FLANGE	M4x6	2
15	NH081300	NUT	M8	1
14	198020	SQUARE TUBE	640	1
13	198004	FIXED LUMP		1
12	SR061203	HEX SOCKET BOLT	M6x60(##)	4
11	198007	CONVEX		1
10	198012	ADJUST SCREW		1
9	198013	HANDLE		1
8	198010	INTERVAL SHEATH		4
7	198019	SUPPRT TUBE	590	1
6	198008	BRACKET	T=3	1
5	198006	SPRING PIECE		1
4	198005	SHAFT		1
3	198003	FIXED SHAFT		2
2	198002	ADJUST BASE		1
1	198018	FIXED BASE	640	1

MODEL NO.: 17 Inch Band Saw
 PART NO.: AB135021
 TRUNNION SUPPORT BRACKET(ASM)

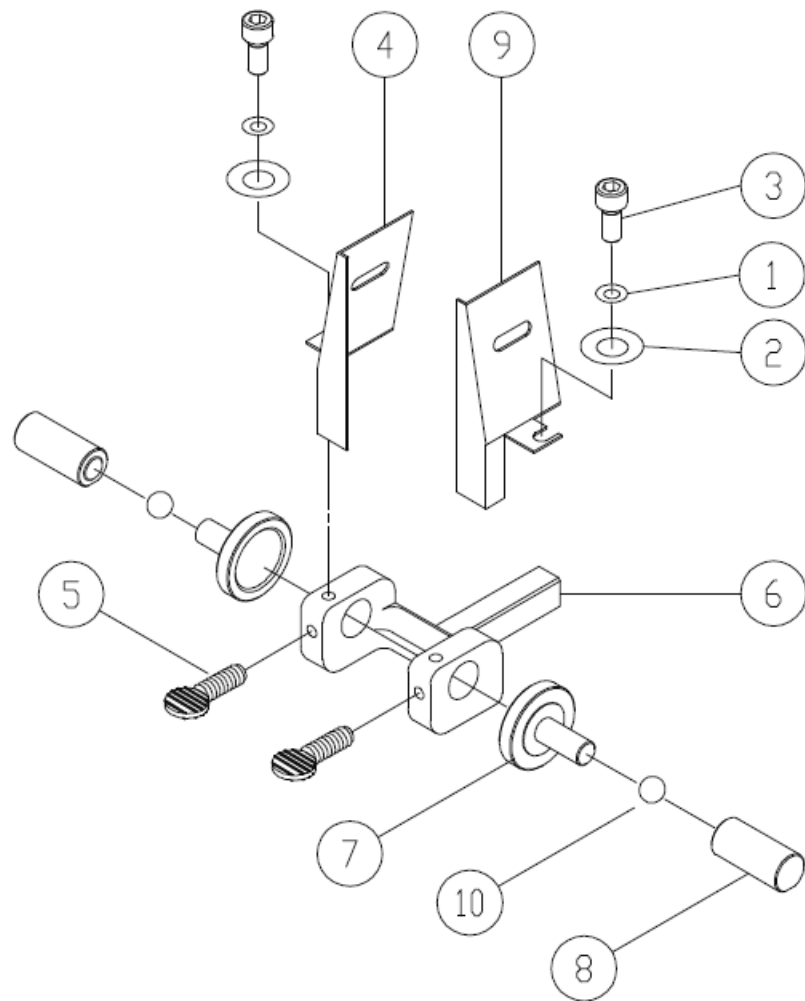


ITEM	PART NO.	Description	SIZE	Q'TY
2	135061	SMALL GEAR		2
3	135063	KNOB		1
4	135021	TRUNNION SUPPORT BRACKET		1
5	WS100000	SPRING WASHER	M10	1
7	SR060400	HEX HEAD BOLT	M6x20	1
8	SR061000	HEX HEAD BOLT	M6x50	1
9	135045	ADJUSTING BLOCK		1
10	NH061000	NUT	M6	2
11	135009	ADJUSTING BAR		1
12	BB600002A	BALL BEARING	6000ZZ	1
13	SJ100400	HEX SOCKET BOTTON HEAD SCREW	M10x20	1
14	WS080000	SPRING WASHER	M8	1
15	WF081820	FLAT WASHER	M8xφ18	2
16	SP049100	PAN HEAD BOLT	M4x6	5
17	135052	GEAR PLATE		2
18	NL081300	NYLON NUT	M8	2
19	135044	HANDLE	M8x25	1
20	WF040808	FLAT WASHER	M4xφ8	2
21	135078	POINTER		1
22	135025	TRUNNION PLATE		2
23	SC081600	CARRIAGE BOLT	M8x80	1
24	SC081700	CARRIAGE BOLT	M8x85	1
25	WF061300	FLAT WASHER	M6xφ13	2



**MODEL NO.: 17 Inch Band Saw
PART NO.: AB198101
MITER GAUGE ASS'Y**

Item	Part NO	Description	Size	Qty
01	198101	GUIDE BAR		1
02	198102	GUIDE PIECE		1
03	SN069200	COUNTER SUNK BOLT	M6x6	1
04	198103	POINTER		1
05	SF059200	PAN HEAD BOLT W/FLANGE	M5x8	1
06	198107	STEEL PIN	Ø6.5x10	1
07	198106	MITER GAUGE BODY		1
08	198104	NYLON WASHER		1
09	198105	HANDLE		1



MODEL NO.: 17 Inch Band Saw
PART NO.: AB135059
LOWER BLADE GUIDE SUPPORT(ASM)

KEY NO.	PARTS NO.	DESCRIPTION	SIZE	QTY
10	994151	BALL	∅5	2
09	135035	RIGHT COVER		1
08	135018	LOWER ADJUST SHAFT		2
07	135058	GUIDE RING		2
06	135059	LOWER BLADE GUIDE SUPPORT		1
05	150013	THUMB BOLT	M6x16	2
04	135031	LEFT COVER		1
03	SR069100	HEX SOCKET BOLT	M6x6	2
02	WF061310	FLAT WASHER	M6x∅13	2
01	WS060000	SPRING WASHER	M6	2