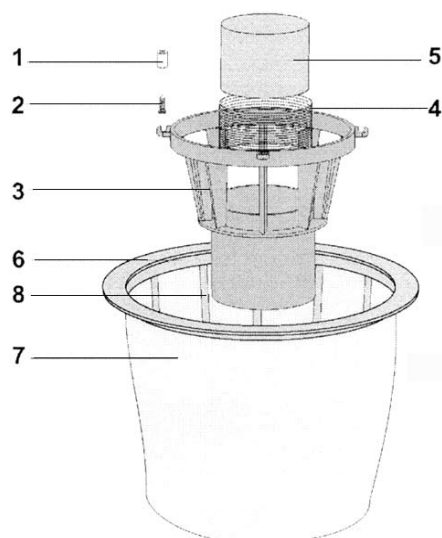
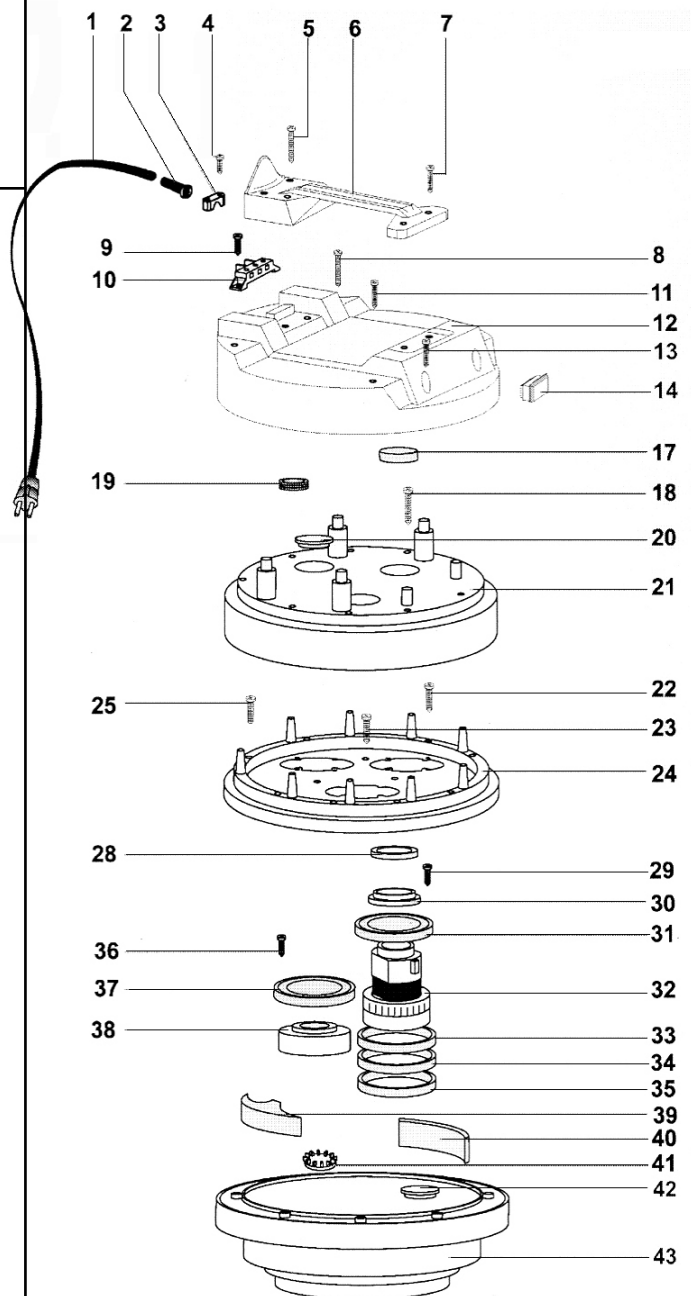


PROMAC[®]

VAC-50-2T

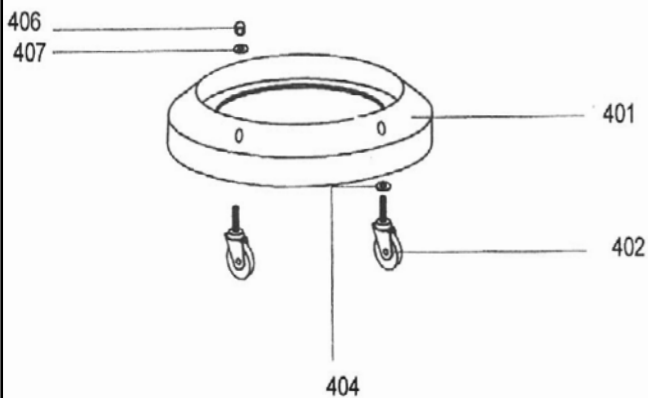
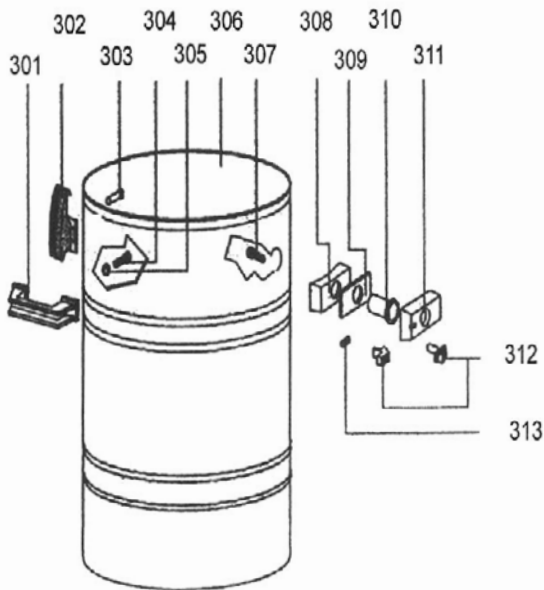
- | | | |
|-----|-------------|-----------------------------------|
| 1. | VAC-500001 | Netzka- bel / Câble 8.5m |
| 2. | VAC-500102 | Kabeltülle / Entrée câble |
| 3. | VAC-500103 | Kabelklemme / Serrage câble |
| 4. | VAC-500104 | Schraube / Vis 5 x 20 |
| 5. | VAC-500105B | Schraube / Vis 5 x 30 |
| 6. | VAC-500106A | Griff gelb / Poignée jaune |
| 7. | VAC-500105B | Schraube / Vis 5 x 30 |
| 8. | VAC-500105B | Schraube / Vis 5 x 30 |
| 9. | VAC-500110A | Schraube / Vis 5 x 14 |
| 10. | VAC-500610 | Kabelklemme / Serrage de câble |
| 11. | VAC-500104 | Schraube / Vis 5 x 20 |
| 12. | VAC-500112A | Deckel / Couvercle |
| 13. | VAC-270019 | Schraube / Vis 5 x 30 |
| 14. | VAC-500115A | Schalter / Interrupteur |
| 17. | VAC-780117 | Filter / Filtre D = 95mm |
| 18. | VAC-500618 | Schraube / Vis 5 x 55 |
| 19. | VAC-500119A | Kabeltülle / Entrée câble |
| 20. | VAC-500120 | Deckel / Couvercle |
| 21. | VAC-500121 | Zwischenring / Flasque |
| 22. | VAC-500107 | Schraube / Vis 5 x 40 |
| 23. | VAC-500107 | Schraube / Vis 5 x 40 |
| 24. | VAC-500124A | Motorplatte / Plate moteur |
| 25. | VAC-500125A | Schraube / Vis M5x30 |
| 26. | VAC-500126A | Schraube / Vis 4,3x19 |
| 27. | VAC-500127A | Kabelklemme / Serrage de câble |
| 28. | VAC-320118 | Ring / Bague |
| 29. | VAC-500104 | Schraube / Vis 5 x 20 |
| 30. | VAC-500118 | Flansch / Flasque |
| 31. | VAC-500123 | Gummiring / Rondelle gomme |
| 32. | VAC-320623 | Motor / Moteur |
| 33. | VAC-500624 | Gummiring / Rondelle gomme |
| 34. | VAC-500625 | Gummiring / Rondelle gomme |
| 35. | VAC-500123 | Gummiring / Rondelle gomme |
| 36. | 953040 | Schraube / Vis 5 x 20 |
| 37. | VAC-500123 | Gummiring / Rondelle gomme |
| 38. | VAC-500136 | Motorflansch / Flasque |
| 39. | VAC-500137 | Schaumstofffilter / Filtre mousse |
| 40. | VAC-500139 | Schaumstofffilter / Filtre mousse |
| 41. | VAC-500140A | Ausgleichsventil / Valve |
| 42. | VAC-500141A | Deckel / Couvercle |
| 43. | VAC-500142 | Deckelflansch / Flasque |
| | VAC-500141 | Entstöreinheit / Condensateur |

- | | | |
|------|--------------|------------------------------------|
| 1. | VAC-500201 | Stopfen / Pivot |
| 2. | VAC-650239 | Schraube / Vis M5 x 20 |
| 3. | VAC-500203 | Schwimmergehäuse / Support |
| 4. | VAC-500204A | Filtersieb / Filtre |
| 5. | VAC-780205 | Schwimmer / Floteur |
| 6-8. | SET-VAC-5052 | Filter komplett / Filtre compl. |
| 6. | VAC-500206 | Korbring/ Anneau support de filtre |
| 7. | VAC-5039 | Polyesterfilter / Filtre conique |
| 8. | VAC-500208 | Filterkorb / Panier filtre |



VAC-50-2T

- 301. VAC-500301 Traggriff / Poignée
- 302. VAC-500302 Klammer / Pousoir
- 303. VAC-500303 Niete / Rivet
- 304. VAC-500304 Schraube / Vis 5 x 30
- 305. VAC-780305 Dichtscheibe / Rondelle
- 306. VAC-500306 Kessel / Reservoir
- 307-313 VAC-500310 Schlauchanschluss / Raccord



- 401. VAC-500401 Schutzring / Protéction
- 402. VAC-500402 Schwenkrad / Rad
- 404. VAC-500404 Scheibe / Rondelle M10
- 406. VAC-500406 Mutter / Ecrou M10
- 407. VAC-500407 Scheibe / Rondelle M10