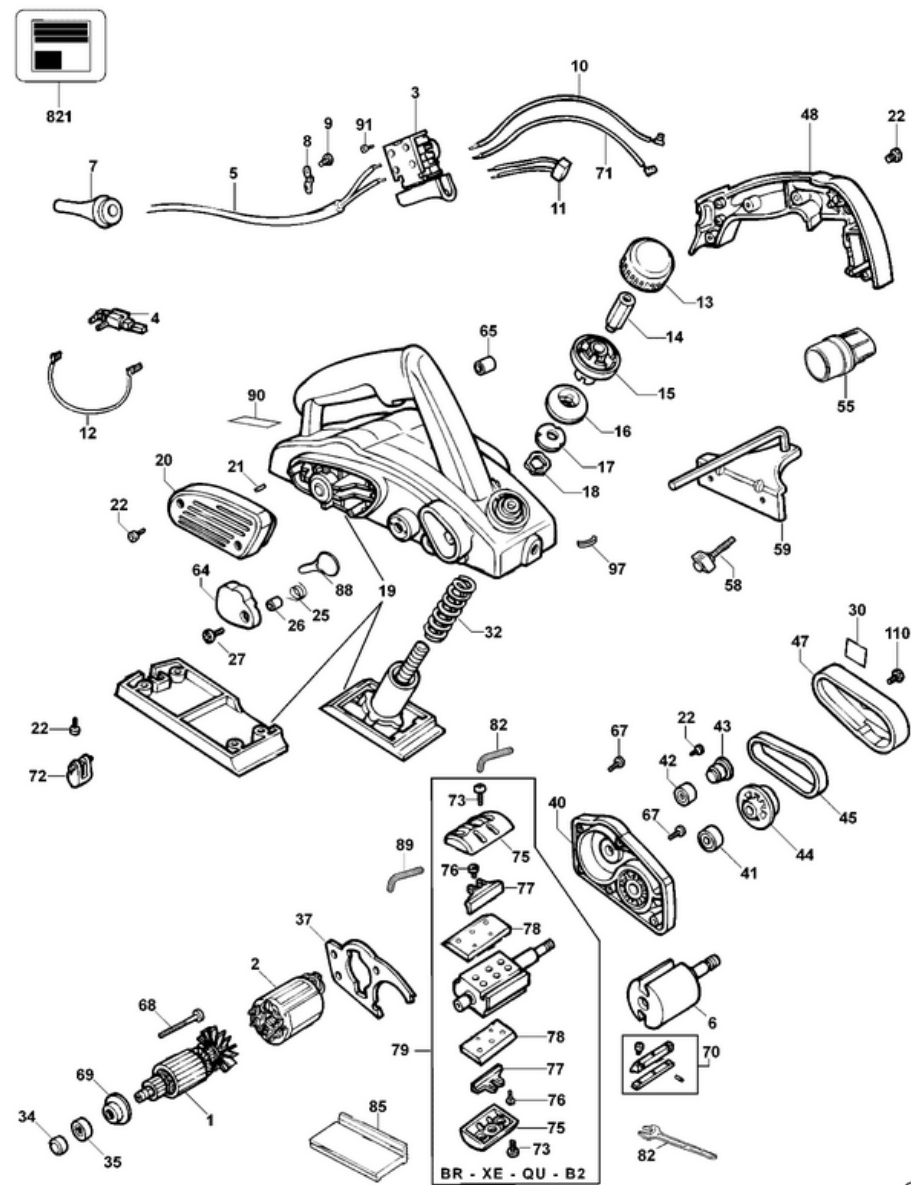


| Artikel Nr. | Nr. | Beschreibung | | | Menge |
|-------------|-----------|-------------------|----------------------|-----------------------|----------|
| Article No | No | Désignation | | | Quantité |
| 1 | 327403-02 | ANKER 230V | INDUIT 230V | INDOTTO 230V | 1 |
| 2 | 373874-08 | FELD 230V | CHAMP 230V | CAMPO 230V | 1 |
| 3 | 327383-03 | SCHALTER ZSB | S/ENS INTERRUPTEUR | ASS. INTERRUTTORE | 1 |
| 4 | 575963-01 | KOHLEPAAR 230V | PAIRE DE BALAIS 230V | SPAZZOLE (X 2) 230V | 1 |
| 5 | 330048-12 | KABELSATZ (EURO) | CORDON (EURO) | CAVO CON SPINA (EURO) | 1 |
| 6 | 477758-00 | MESSERTROMMEL ZSB | S/E TAMBOUR LAME | ASS. RULLO PORTALAME | 1 |
| 7 | 320785-00 | KABELTUELLE | PASSE CABLE | CORD PROTECTOR | 1 |
| 8 | 329301-00 | KABELKLEMME | SERRE CABLE | SERRAFILO | 1 |
| 9 | 330065-06 | SCHRAUBE | VIS | VITE | 2 |
| 10 | 878277 | LITZE 280MM | FIL 280MM | CAVETTO 280MM | 1 |
| 11 | N159094 | KONDENSATOR | CONDENSATEUR | CONDENSATORE | 1 |
| 12 | 323768-13 | LITZE ZSB | S/ENS FIL | ASS. CAVETTO | 2 |
| 13 | 326592-00 | KAPPE | COUVERCLE | CALOTTA | 1 |
| 14 | 328772-00 | MUTTER | ECROU | DADO | 1 |
| 15 | 326590-01 | BODEN | BASE | BASE | 1 |
| 16 | 326589-06 | SKALA | ECHELLE | SCALA | 1 |
| 17 | 326381-01 | RATSCHEN | CLABOT | ARRESTO | 1 |
| 18 | 327344-00 | FEDERSCHEIBE | RONDELLE ELASTIQUE | RONDELLA ELASTICA | 1 |
| 19 | 328509-04 | MOTORGEHAUSE ZSB | S/E CORPS MOTEUR | SC SEE MOTORE | 1 |
| 20 | 326388-00 | KOHLEDECKEL | COUVERCLE DE BALAI | COPERTURA SPAZZOLE | 1 |
| 21 | 326636-00 | POSTEN | SUPPORT | PALO | 2 |
| 22 | 330065-08 | SCHRAUBE | VIS | VITE | 16 |
| 25 | 323722-00 | FEDER | RESSORT | MOLLA | 1 |
| 26 | 326823-01 | BUCHSE | ENTRETOISE | GUAINA ISOLANTE | 1 |
| 27 | 326519-01 | SCHRAUBE | VIS | VITE | 1 |
| 30 | 578758-00 | BRAND LABEL | PLAQUE DE FIRME | ETICHETTA MARCHIO | 1 |
| 32 | 572255-00 | FEDER | RESSORT | MOLLA | 1 |
| 34 | 870052 | HUELSE | DOUILLE | MANICOTTO | 1 |

| | | | | | |
|-----|-----------|-----------------|--------------------|---------------------|---|
| 35 | 330003-31 | KUGELLAGER | PALIER | CUSCINETTO | 1 |
| 37 | 326389-00 | ABDECKUNG | DEFLECTEUR | LINGUETTA DI GUIDA | 1 |
| 40 | 327420-00 | LAGERGEHAEUSE | PALIER DE CARCASSE | SEDE DEL CUSCINETTO | 1 |
| 41 | 330003-21 | KUGELLAGER | PALIER | CUSCINETTO | 1 |
| 42 | 330003-03 | KUGELLAGER | PALIER | CUSCINETTO | 1 |
| 43 | 329142-00 | ANTRIEBSRAD | POULIE | PULEGGIA | 1 |
| 44 | 329141-00 | ANTRIEBSRAD | POULIE | PULEGGIA | 1 |
| 45 | 329140-00 | RIEMEN | COURROIE | CINGHIA | 1 |
| 47 | 329273-00 | RIEMENDECKEL | CACHE COURROIE | COPERTURA CINGHIA | 1 |
| 48 | 326385-01 | ABDECKUNG | COUVERCLE | COPERTURA | 1 |
| 55 | 248629-00 | ADAPTER | ADAPTATEUR | ADATTATORE | 1 |
| 58 | 326573-01 | FLUEGELSCHRAUBE | VIS PAPILLON | VITE AD ALETTE | 1 |
| 59 | 326398-01 | ANSCHLAG | GUIDE | GUIDA | 1 |
| 64 | 327052-00 | SCHUTZ | PROTECTEUR | PROTEZIONE | 1 |
| 65 | 330004-25 | NADELLAGER | ROULT A AIGUILLES | BOCCOLA AD AGHI | 1 |
| 67 | 330065-04 | SCHRAUBE | VIS | VITE | 2 |
| 68 | 330065-02 | SCHRAUBE | VIS | VITE | 2 |
| 69 | 327417-00 | ISOLATION | ISOLANT | ISOLANTE | 1 |
| 70 | 577706-00 | KLEMME ZSB | S/ENS PINCE | ASS. MORSETTO | 2 |
| 71 | 878846 | LITZE 360MM | FIL 360MM | CAVETTO 360MM | 1 |
| 72 | N381124 | STAENDER | STAND | CAVALLETTO | 1 |
| 73 | 574523-00 | SCHRAUBE | VIS | VITE | 6 |
| 82 | 868148-00 | SCHLUESSEL | CLE | CHIAVE | 1 |
| 97 | 571497-00 | KLIP | CLIP | GRAFFA | 1 |
| 110 | 330065-13 | SCHRAUBE | VIS | VITE | 1 |
| 821 | N122405 | AUFKLEBER | PLAQUE SIGNALETI | SCHEDA | 1 |



BR - XE - QU - B2

